

GENUINE GRACO PARTS AND ACCESSORIES

24B618 (100cc) Integrator Kit

For ProMix[®] 2KS Proportioners



406804D

EN



Important Safety Instructions

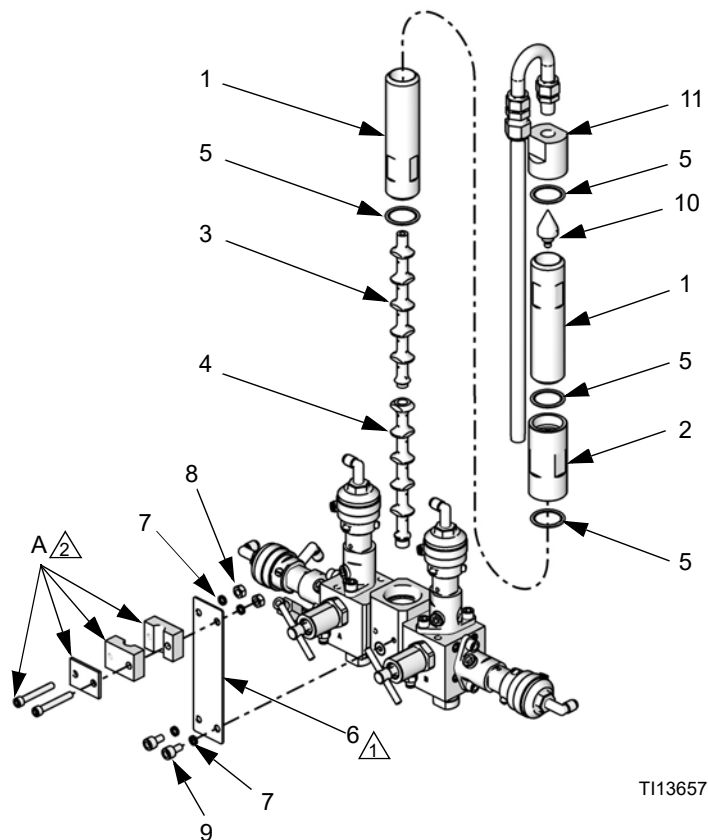
Read all warnings and instructions in manual 312781. Save those instructions.

Ref.	Description	Qty.
1	HOUSING, 50cc	2
2	COUPLING, housing	1
3*	TUBE, upper mix	1
4*	TUBE, lower mix	1
5	O-RING, integrator housing	4
6	BRACKET	1
7	WASHER, lock	4
8	NUT	2
9	SCREW, 1/4-20	2
10	CAP, mix, integrator	1
11	CAP, integrator	1

* Included in kit 25N729

Remove tube bracket assembly (A) from manifold. Install bracket (6) using two screws (9) and washers (7).

Install tube bracket assembly (A) on bracket (6) using two washers (7) and nuts (8).



T113657b

Graco Inc. P.O. Box 1441 Minneapolis, MN 55440-1441

406804 Rev, C 10/2018

Copyright 2009, Graco Inc. is registered to ISO 9001