

15V825 Discrete I/O Board Kit

406800B

ENG

To install Discrete I/O Board in a ProMix® 2KS Proportioner.

Not for use in explosive atmospheres.



Important Safety Instructions

Read all warnings and instructions in your ProMix 2KS manuals. Save all instructions.

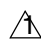
Parts

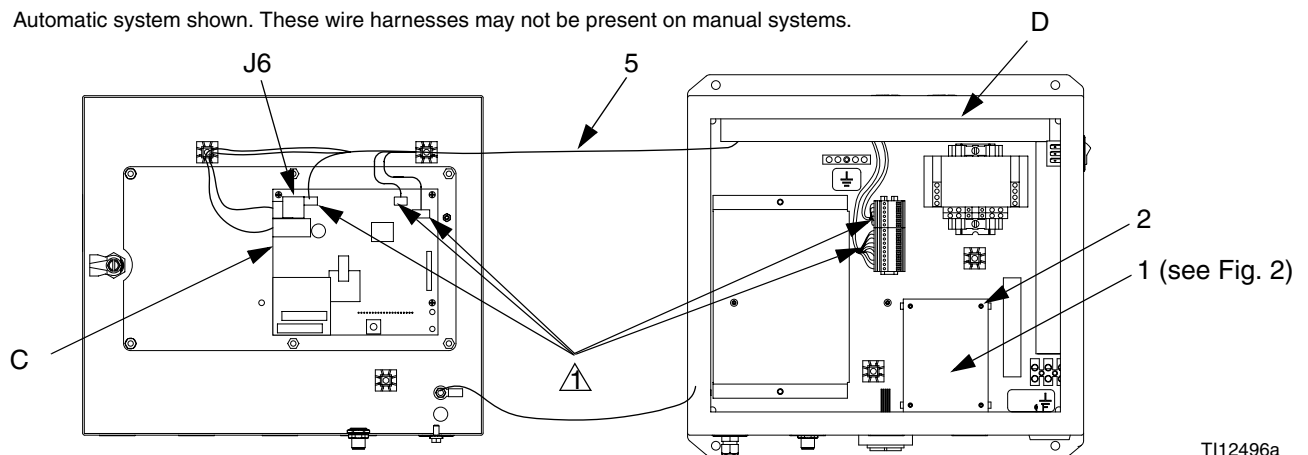
Ref.	Part No.	Description	Qty.
1	255766	BOARD, circuit, discrete I/O	1
2	n/a	SUPPORT, board	4
3	n/a	CONNECTOR, plug, 6 position; J2 and J5, see Fig. 2	2
4	n/a	CONNECTOR, plug, 8 position; J3 and J4, see Fig. 2	2
5	n/a	CABLE, CAT 5; 3 ft (0.9 m)	1

Parts labeled n/a are not available separately.

Installation

1. Shut off ProMix 2KS power. Also shut off power at main circuit breaker.
2. Unlock and open EasyKey door with its key.
3. Install the Discrete I/O board (1) in the position shown in Fig. 1, using the four board supports (2). See Fig. 2 for board orientation.
4. Connect the CAT 5 cable to J1 on the I/O board.
5. Route the cable through the wire channel (D) of the EasyKey to the display board (C). Connect the CAT 5 cable to J6 on the display board.
6. Close and lock the EasyKey door.

 Automatic system shown. These wire harnesses may not be present on manual systems.



T112496a

Fig. 1

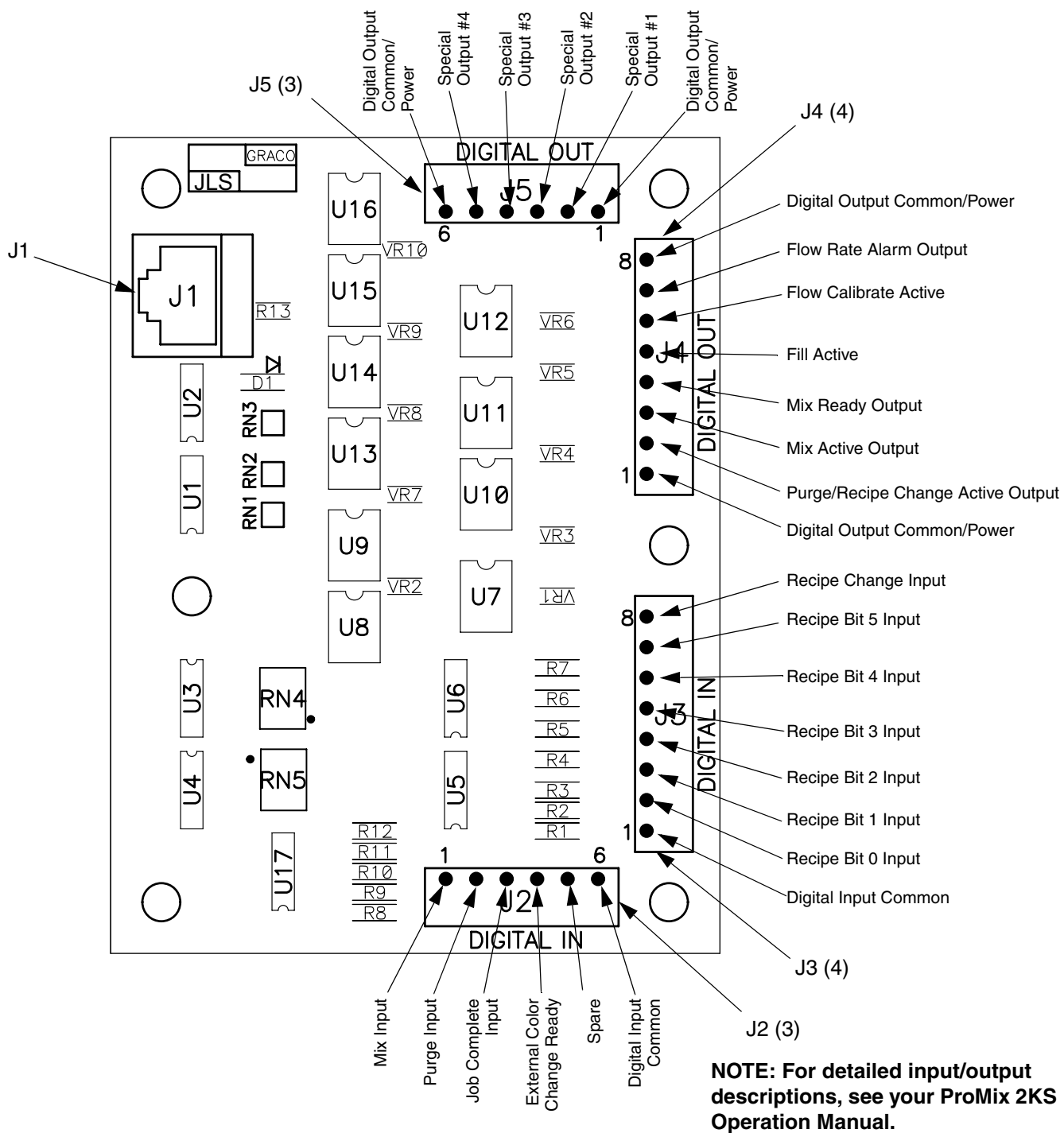


Fig. 2. Discrete I/O Board

All written and visual data contained in this document reflects the latest product information available at the time of publication. Graco reserves the right to make changes at any time without notice.

Original instructions. This manual contains English. MM 406800

Graco Headquarters: Minneapolis
International Offices: Belgium, China, Japan, Korea

GRACO INC. P.O. BOX 1441 MINNEAPOLIS, MN 55440-1441

Copyright 2009, Graco Inc. is registered to ISO 9001

www.graco.com
 Revised 01/2010