

E-Flo UniDrumTM Supply System

3A8736B

EN

Bulk Supply System for 300 Gallon (1200 Liter) Magnadrumms or 1000 Liter totes. For professional use only.

Not approved for use in explosive atmospheres or hazardous (classified) locations.

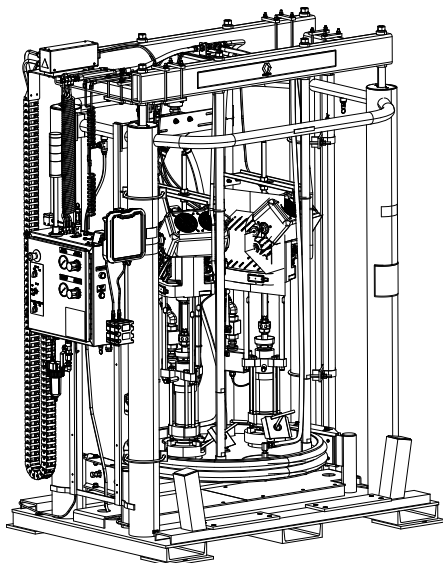
The E-Flo UniDrum Supply System is composed of either one (single) or two (tandem) Supply Units. The E-Flo UniDrum Supply System evacuates 300 gallon (1200 liter) magnadrumms, 1000 liter totes, or other tote drums of the same size and capacity. The E-Flo UniDrum Supply System pumps and transfers flowable and highly viscous materials such as sealant, adhesives, and sound deadeners from bulk drums.

See page 3 for model information.

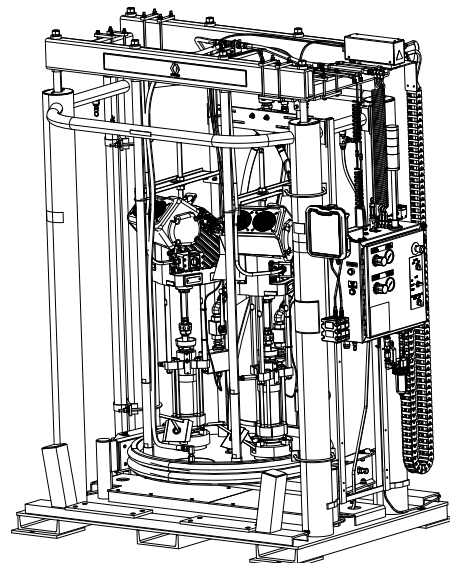


Important Safety Instructions

Read all warnings and instructions in this manual and in related manuals before using the equipment. Save all instructions.



E-Flo UniDrum Left Hand Supply Unit



E-Flo UniDrum Right Hand Supply Unit

Contents

Related Manuals **2**

Models **3**

 1000 Liter Units 3

 300 Gallon Units 4

Warnings **5**

Parts **8**

 300 Gallon Supply Unit, 26D368 8

 1000 Liter Supply Unit, 26D392 15

 Enclosure 22

 Enclosure Back Panel 26

 Elevator Assembly, 241902 28

 Elevator Assembly 30

 Follower Plate Assembly (1000 Liter SS) 32

 Follower Plate Assembly (1000 Liter CS), 24R401 33

 Follower Plate Assembly (300 Gallon SS), 24R972 34

 Follower Plate Assembly (300 Gallon CS) 35

 Safety Pin Maintenance Kit, 26B772 36

 Safety Pin Maintenance Kit, 26B774 38

 ADM Light Tower Kit, 26D425 40

 CGM Kit, 26D426, 26D427, 26D428, and 26D429 41

Recommended Spare Parts **42**

 Spare Parts for Pump and Electric Motor 42

 Spare Parts for 47:1 and 35:1 E-Flo UniDrum Supply Units 42

Technical Specifications **43**

California Proposition 65 **43**

Graco Standard Warranty **44**

Related Manuals

Manual in English	Description
3A8735	E-Flo UniDrum Supply System Installation-Operation
3A6482	APD20 Advanced Precision Driver Instructions
3A6586	E-Flo SP Electric Pumps for Sealants and Adhesives Installation-Parts
3A6321	ADM Token In-System Programming Instructions
3A1244	Graco control Architecture Module Programming
3A1906	Light Tower Kit Instructions-Parts
311825	Dura-Flo [®] Lowers Instructions-Parts
311827	Dura-Flo [™] Lowers Repair-Parts

Models

The E-Flo UniDrum Supply Units listed below are covered in this manual. For specific pump information, refer to the chart in **Servicing the Pumps** in the E-Flo UniDrum Supply System Installation-Operation manual. See **Related Manuals** on page 2.

1000 Liter Units




Left Side Mounted Enclosure					Right Side Mounted Enclosure				
Carbon Steel									
Supply Unit Part No.	Pump Size	Pump Type	Voltage	Max Fluid Working Pressure	Supply Unit Part No.	Pump Size	Pump Type	Voltage	Max Fluid Working Pressure
26D395	290cc	CS/Severe Duty	230V	2800 psi (193 bar, 19.3 MPa)	26D407	290cc	CS/Severe Duty	230V	2800 psi (193 bar, 19.3 MPa)
26D396	290cc	CS/Severe Duty	400V/ Y	2800 psi (193 bar, 19.3 MPa)	26D408	290cc	CS/Severe Duty	400V/ Y	2800 psi (193 bar, 19.3 MPa)
26D397	290cc	CS/Severe Duty	480V	2800 psi (193 bar, 19.3 MPa)	26D409	290cc	CS/Severe Duty	480V	2800 psi (193 bar, 19.3 MPa)
26D392	430cc	CS/Severe Duty	230V	1900 psi (131 bar, 13.1 MPa)	26D404	430cc	CS/Severe Duty	230V	1900 psi (131 bar, 13.1 MPa)
26D393	430cc	CS/Severe Duty	400V/ Y	1900 psi (131 bar, 13.1 MPa)	26D405	430cc	CS/Severe Duty	400V/ Y	1900 psi (131 bar, 13.1 MPa)
26D394	430cc	CS/Severe Duty	480V	1900 psi (131 bar, 13.1 MPa)	26D406	430cc	CS/Severe Duty	480V	1900 psi (131 bar, 13.1 MPa)
26D398	430cc	SS/ MaxLife	230V	1900 psi (131 bar, 13.1 MPa)	26D410	430cc	SS/ MaxLife	230V	1900 psi (131 bar, 13.1 MPa)
26D399	430cc	SS/ MaxLife	400V/ Y	1900 psi (131 bar, 13.1 MPa)	26D411	430cc	SS/ MaxLife	400V/ Y	1900 psi (131 bar, 13.1 MPa)
26D400	430cc	SS/ MaxLife	480V	1900 psi (131 bar, 13.1 MPa)	26D412	430cc	SS/ MaxLife	480V	1900 psi (131 bar, 13.1 MPa)
Stainless Steel									
Supply Unit Part No.	Pump Size	Pump Type	Voltage	Max Fluid Working Pressure	Supply Unit Part No.	Pump Size	Pump Type	Voltage	Max Fluid Working Pressure
26D401	430cc	SS/ MaxLife	230V	1900 psi (131 bar, 13.1 MPa)	26D413	430cc	SS/ MaxLife	230V	1900 psi (131 bar, 13.1 MPa)
26D402	430cc	SS/ MaxLife	400V/ Y	1900 psi (131 bar, 13.1 MPa)	26D414	430cc	SS/ MaxLife	400V/ Y	1900 psi (131 bar, 13.1 MPa)
26D403	430cc	SS/ MaxLife	480V	1900 psi (131 bar, 13.1 MPa)	26D415	430cc	SS/ MaxLife	480V	1900 psi (131 bar, 13.1 MPa)





300 Gallon Units

Left Side Mounted Enclosure					Right Side Mounted Enclosure				
Carbon Steel									
Supply Unit Part No.	Pump Size	Pump Type	Voltage	Max Fluid Working Pressure	Supply Unit Part No.	Pump Size	Pump Type	Voltage	Max Fluid Working Pressure
26D371	290cc	CS/Severe Duty	230V	2800 psi (193 bar, 19.3 MPa)	26D383	290cc	CS/Severe Duty	230V	2800 psi (193 bar, 19.3 MPa)
26D372	290cc	CS/Severe Duty	400V/ Y	2800 psi (193 bar, 19.3 MPa)	26D384	290cc	CS/Severe Duty	400V/ Y	2800 psi (193 bar, 19.3 MPa)
26D373	290cc	CS/Severe Duty	480V	2800 psi (193 bar, 19.3 MPa)	26D385	290cc	CS/Severe Duty	480V	2800 psi (193 bar, 19.3 MPa)
26D368	430cc	CS/Severe Duty	230V	1900 psi (131 bar, 13.1 MPa)	26D380	430cc	CS/Severe Duty	230V	1900 psi (131 bar, 13.1 MPa)
26D369	430cc	CS/Severe Duty	400V/ Y	1900 psi (131 bar, 13.1 MPa)	26D381	430cc	CS/Severe Duty	400V/ Y	1900 psi (131 bar, 13.1 MPa)
26D370	430cc	CS/Severe Duty	480V	1900 psi (131 bar, 13.1 MPa)	26D382	430cc	CS/Severe Duty	480V	1900 psi (131 bar, 13.1 MPa)
26D374	430cc	SS/ MaxLife	230V	1900 psi (131 bar, 13.1 MPa)	26D386	430cc	SS/ MaxLife	230V	1900 psi (131 bar, 13.1 MPa)
26D375	430cc	SS/ MaxLife	400V/ Y	1900 psi (131 bar, 13.1 MPa)	26D387	430cc	SS/ MaxLife	400V/ Y	1900 psi (131 bar, 13.1 MPa)
26D376	430cc	SS/ MaxLife	480V	1900 psi (131 bar, 13.1 MPa)	26D388	430cc	SS/ MaxLife	480V	1900 psi (131 bar, 13.1 MPa)
Stainless Steel									
Supply Unit Part No.	Pump Size	Pump Type	Voltage	Max Fluid Working Pressure	Supply Unit Part No.	Pump Size	Pump Type	Voltage	Max Fluid Working Pressure
26D377	430cc	SS/ MaxLife	230V	1900 psi (131 bar, 13.1 MPa)	26D389	430cc	SS/ MaxLife	230V	1900 psi (131 bar, 13.1 MPa)
26D378	430cc	SS/ MaxLife	400V/ Y	1900 psi (131 bar, 13.1 MPa)	26D390	430cc	SS/ MaxLife	400V/ Y	1900 psi (131 bar, 13.1 MPa)
26D379	430cc	SS/ MaxLife	480V	1900 psi (131 bar, 13.1 MPa)	26D391	430cc	SS/ MaxLife	480V	1900 psi (131 bar, 13.1 MPa)










Warnings

The following warnings are for the setup, use, grounding, maintenance, and repair of this equipment. The exclamation point symbol alerts you to a general warning and the hazard symbols refer to procedure-specific risks. When these symbols appear in the body of this manual or on warning labels, refer back to these Warnings. Product-specific hazard symbols and warnings not covered in this section may appear throughout the body of this manual where applicable.

 DANGER	
 	<p>SEVERE ELECTRIC SHOCK HAZARD</p> <p>This equipment can be powered by more than 240 V. Contact with this voltage will cause death or serious injury.</p> <ul style="list-style-type: none">• Turn off and disconnect power at main switch before disconnecting any cables and before servicing equipment.• This equipment must be grounded. Connect only to grounded power source.• All electrical wiring must be done by a qualified electrician and comply with all local codes and regulations.

 WARNING	
  	<p>MOVING PARTS HAZARD</p> <p>Moving parts can pinch, cut or amputate fingers and other body parts.</p> <ul style="list-style-type: none">• Keep clear of moving parts.• Keep your hands away from the follower plate and the lip of the drum while the ram is operating.• Keep your hands away from the ram frame while the ram is operating.• Do not operate equipment with protective guards or covers removed.• Equipment can start without warning. Before checking, moving, or servicing equipment, follow the Pressure Relief Procedure and disconnect all power sources.

WARNING

    	<p>SKIN INJECTION HAZARD</p> <p>High-pressure fluid from gun, hose leaks, or ruptured components will pierce skin. This may look like just a cut, but it is a serious injury that can result in amputation. Get immediate surgical treatment.</p> <ul style="list-style-type: none"> • Do not spray without tip guard and trigger guard installed. • Engage trigger lock when not spraying. • Do not point gun at anyone or at any part of the body. • Do not put your hand over the spray tip. • Do not stop or deflect leaks with your hand, body, glove, or rag. • Follow the Pressure Relief Procedure when you stop spraying and before cleaning, checking, or servicing equipment. • Tighten all fluid connections before operating the equipment. • Check hoses and couplings daily. Replace worn or damaged parts immediately. • Use only Graco approved hoses. Do not remove any spring guard that is used to help protect the hose from rupture caused by kinks or bends near the couplings.
   	<p>FIRE AND EXPLOSION HAZARD</p> <p>Flammable fumes, such as solvent and paint fumes, in work area can ignite or explode. Paint or solvent flowing through the equipment can cause static sparking. To help prevent fire and explosion:</p> <ul style="list-style-type: none"> • Use equipment only in well-ventilated area. • Eliminate all ignition sources, such as pilot lights, cigarettes, portable electric lamps, and plastic drop cloths (potential static sparking). • Ground all equipment in the work area. See Grounding instructions. • Never spray or flush solvent at high pressure. • Keep work area free of debris, including solvent, rags and gasoline. • Do not plug or unplug power cords, or turn power or light switches on or off when flammable fumes are present. • Use only grounded hoses. • Hold gun firmly to side of grounded pail when triggering into pail. Do not use pail liners unless they are anti-static or conductive. • Stop operation immediately if static sparking occurs or you feel a shock. Do not use equipment until you identify and correct the problem. • Keep a working fire extinguisher in the work area.

⚠️ WARNING



EQUIPMENT MISUSE HAZARD

Misuse can cause death or serious injury.



- Do not operate the unit when fatigued or under the influence of drugs or alcohol.
- Do not exceed the maximum working pressure or temperature rating of the lowest rated system component. See **Technical Specifications** in all equipment manuals.
- Use fluids and solvents that are compatible with equipment wetted parts. See **Technical Specifications** in all equipment manuals. Read fluid and solvent manufacturer's warnings. For complete information about your material, request Safety Data Sheets (SDSs) from distributor or retailer.
- Turn off all equipment and follow the **Pressure Relief Procedure** when equipment is not in use.
- Check equipment daily. Repair or replace worn or damaged parts immediately with genuine manufacturer's replacement parts only.
- Do not alter or modify equipment. Alterations or modifications may void agency approvals and create safety hazards.
- Make sure all equipment is rated and approved for the environment in which you are using it.
- Use equipment only for its intended purpose. Call your distributor for information.
- Route hoses and cables away from traffic areas, sharp edges, moving parts, and hot surfaces.
- Do not kink or over bend hoses or use hoses to pull equipment.
- Keep children and animals away from work area.
- Comply with all applicable safety regulations.



SPLATTER HAZARD

Hot or toxic fluid can cause serious injury if splashed in the eyes or on skin. During blow off of platen, splatter may occur.

- Use minimum air pressure when removing platen from drum.



BURN HAZARD

Equipment surfaces and fluid that is heated can become very hot during operation. To avoid severe burns:

- Do not touch hot fluid or equipment.



TOXIC FLUID OR FUMES HAZARD

Toxic fluids or fumes can cause serious injury or death if splashed in the eyes or on skin, inhaled, or swallowed.

- Read Safety Data Sheets (SDSs) to know the specific hazards of the fluids you are using.
- Store hazardous fluid in approved containers, and dispose of it according to applicable guidelines.



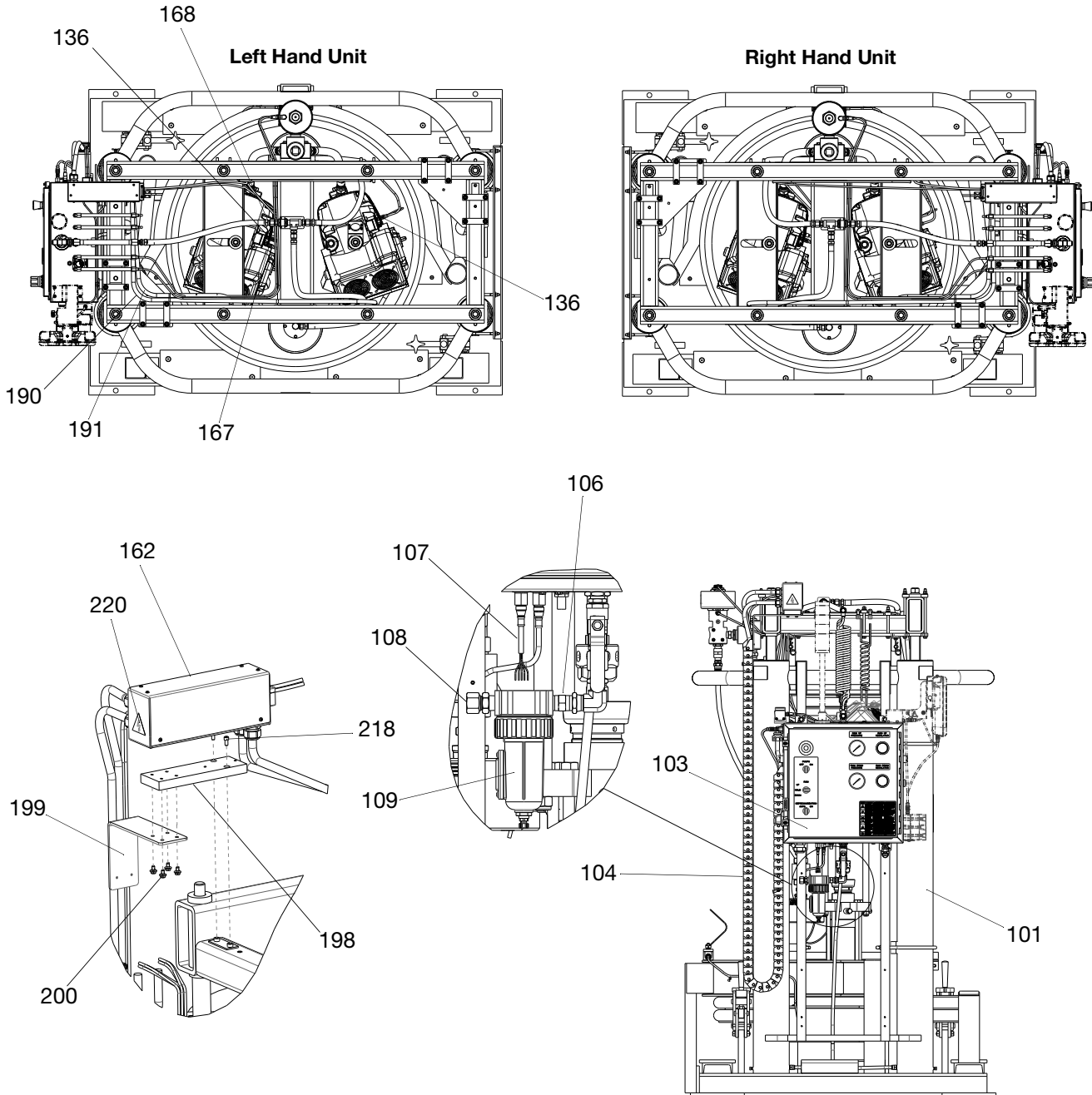
PERSONAL PROTECTIVE EQUIPMENT

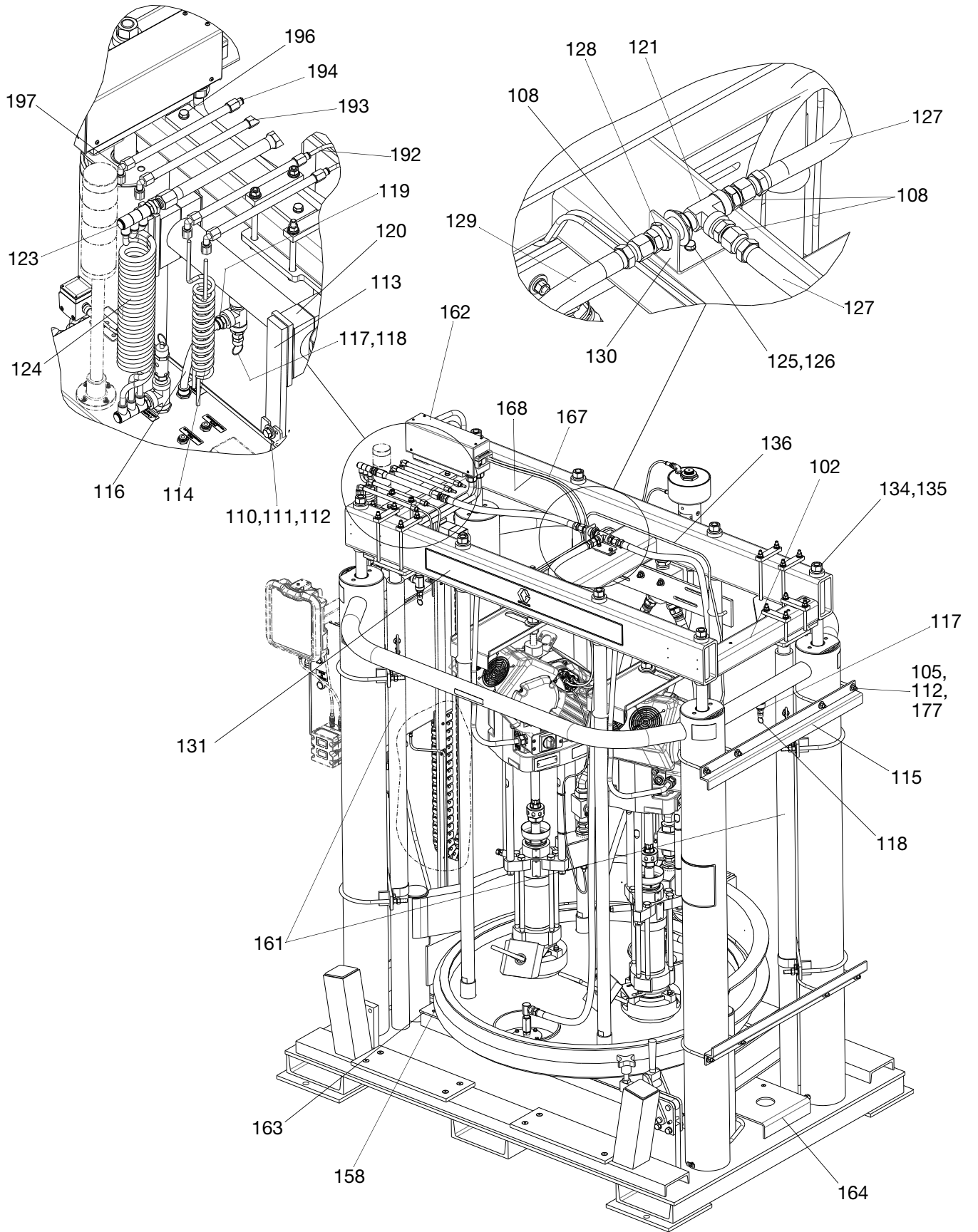
Wear appropriate protective equipment when in the work area to help prevent serious injury, including eye injury, hearing loss, inhalation of toxic fumes, and burns. Protective equipment includes but is not limited to:

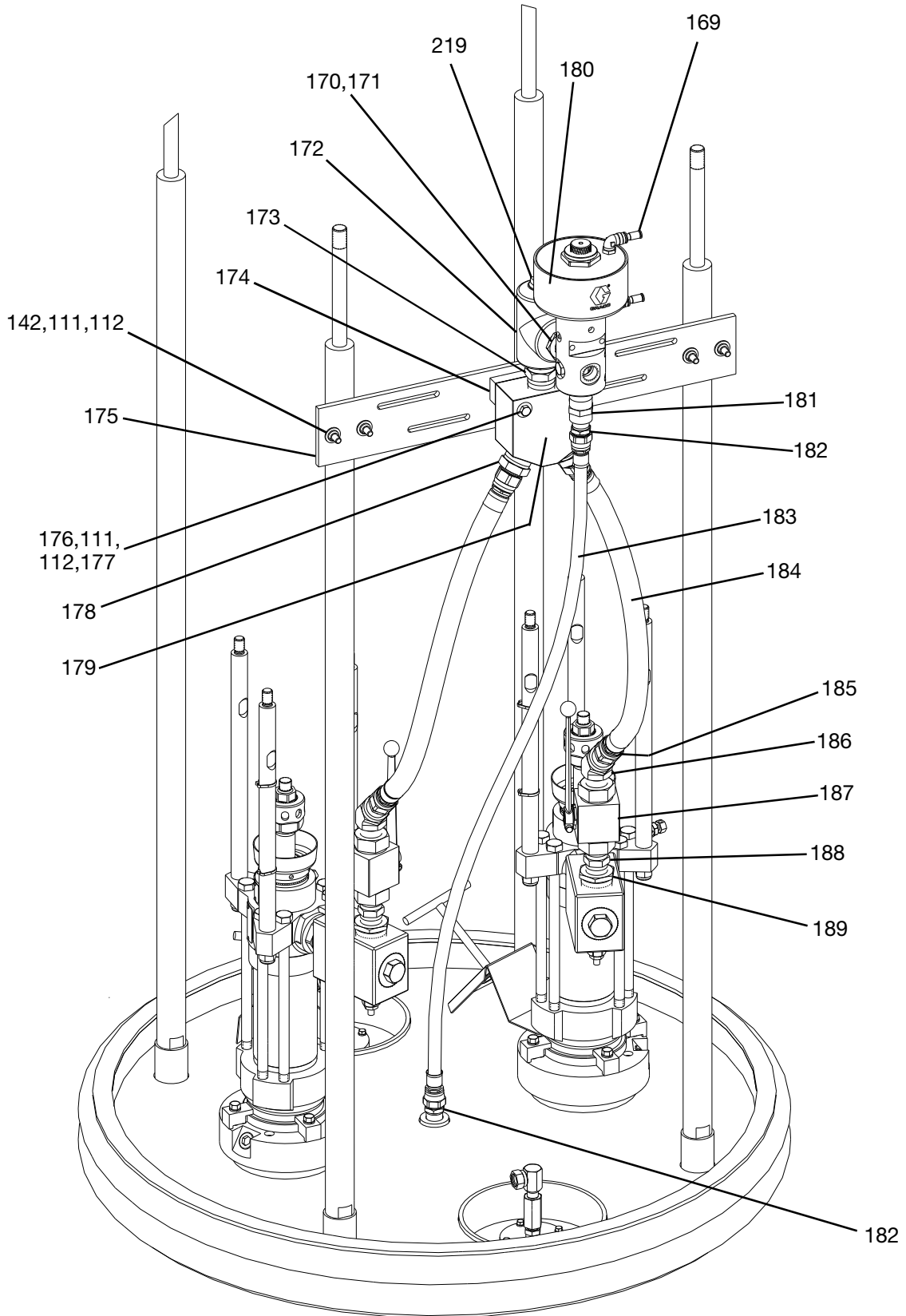
- Protective eyewear, and hearing protection.
- Respirators, protective clothing, and gloves as recommended by the fluid and solvent manufacturer.

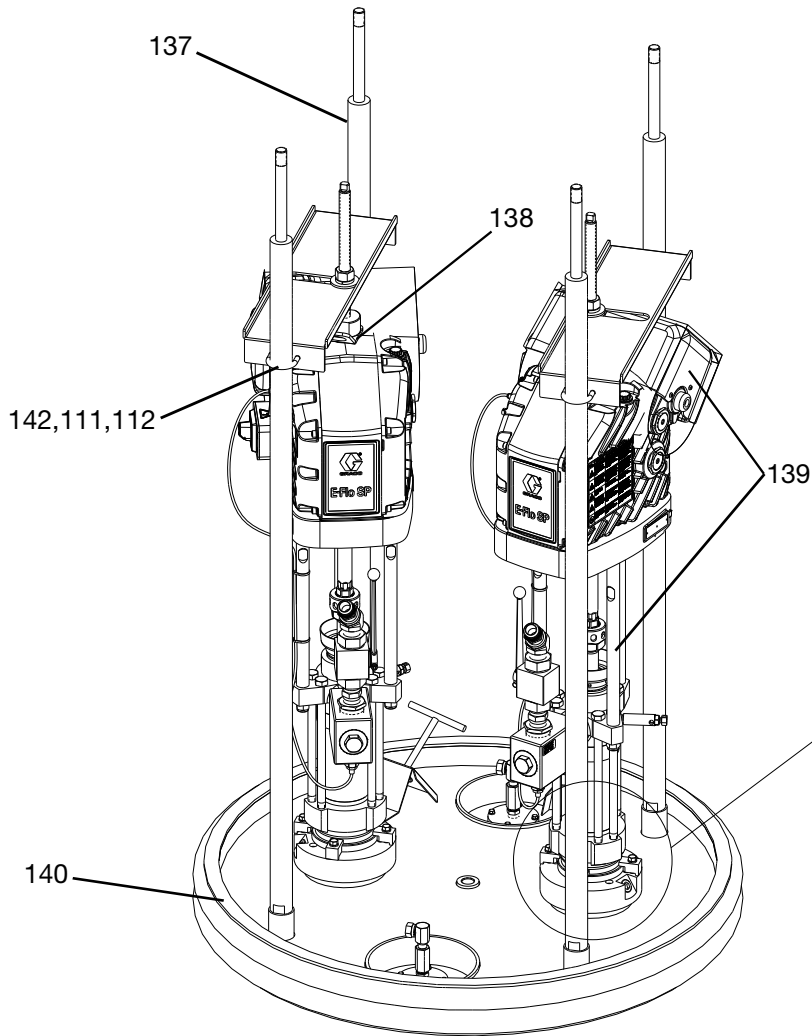
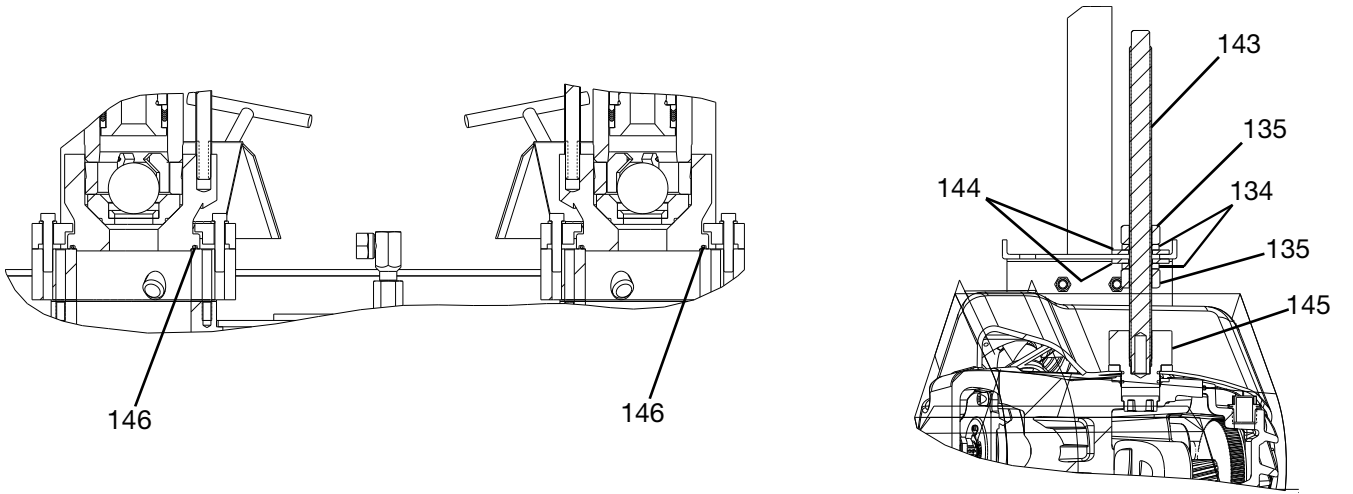
Parts

300 Gallon Supply Unit, 26D368

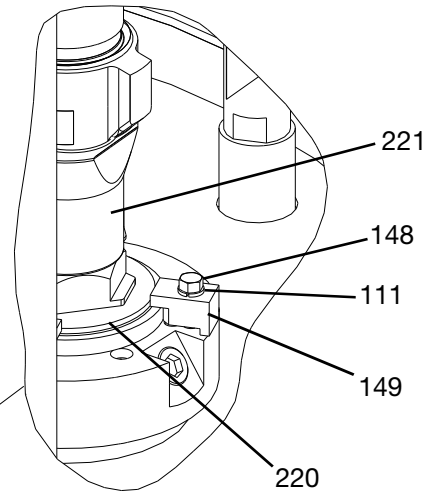


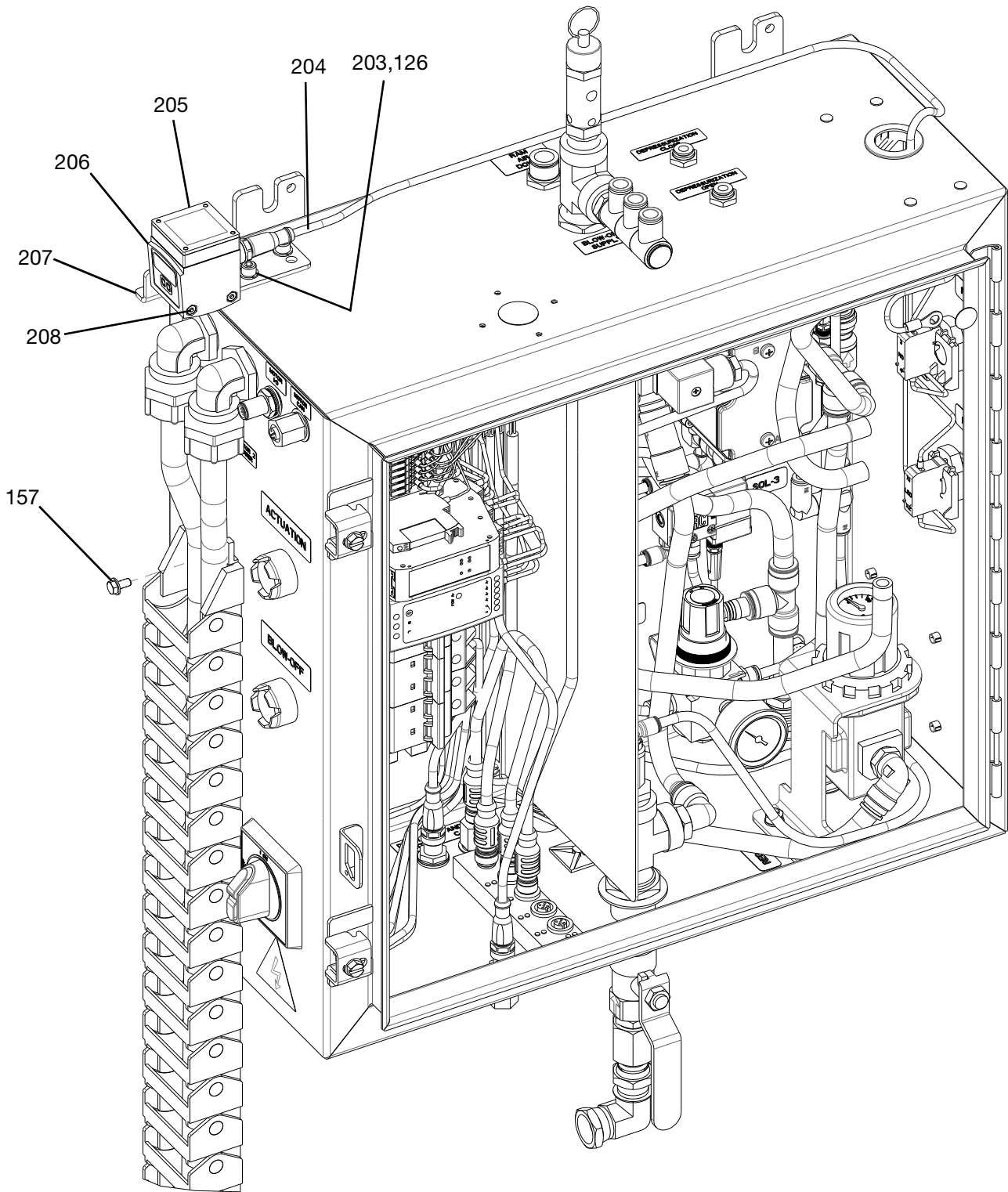






For 290cc Duraflo





300 Gallon Supply Unit, 26D368

Ref.	Part	Description	Qty.
101	241902	ELEVATOR, assembly 300 gallon	1
102	617204	CARRIAGE, weldment, 300 gallon	1
103	---	MODULE, control, UniDrum, electric, 230V, left hand	1
104	---	CABLE, track, IGUS, 32 mm, UniDrum, 300 gallon	1
105	C51238	BOLT, "U"	4
106	C20485	FITTING, nipple, hex	1
107	120997	CABLE, TURCK, RS 4T-4	1
108	C19019	FITTING, union swivel	4
109	106149	FILTER, air, 1/2 NPT	1
110	C19124	SCREW, cap, hex head	4
111	100133	WASHER, lock, 3/8	20
112	C19200	WASHER, plain	28
113	---	SUPPORT, enclosure, 300 gallon, UniDrum, electric	1
114	517288	TUBE, coiled	1
115	241844	BRACKET, mounting	2
116	054139	TUBE, nylon, rd	0.5 ft
117	100206	BUSHING, pipe	2
118	116643	VALVE, safety, relief, air	2
119	125411	FITTING, connector, male, 1/2 NPTF	1
120	517272	CLAMP, support	2
121	108126	FITTING, tee, street	2
122	125465	FITTING, swivel, straight, 1/2 NPT	2
123	---	MANIFOLD, 1/2 NPT, 3 port, 3/8 PTC, swivel	1
124	---	TUBE, coiled, .375 OD, 3X, 15 turns	1
125	100333	SCREW, cap, hex head	2
126	100016	WASHER, lock	2
127	---	HOSE, coupled, 84 in.	2
128	512905	FITTING, bulkhead	1
129	218093	HOSE, coupled	1
130	---	BRACKET, bulkhead, UniDrum, electric	1
131	---	LABEL, cross bar	2
134	101533	WASHER, spring lock	12
135	101535	NUT, full hex	12
136	121003	CABLE, can, female/female 3.0 M	1
137	617180	ROD, connecting	4
138	15J993	RING, lift, plate	2
139	ED430C S1	PUMP, ESP, DF430CS, 240V, NO ADM	2
140	---	PLATE, RAM, CST, 300 gallon	1

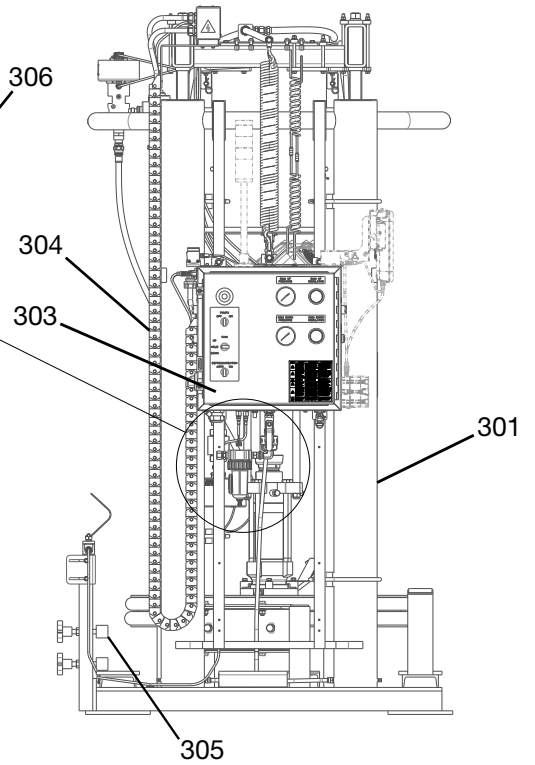
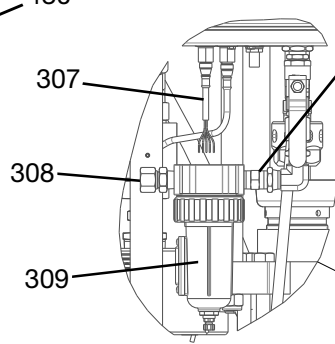
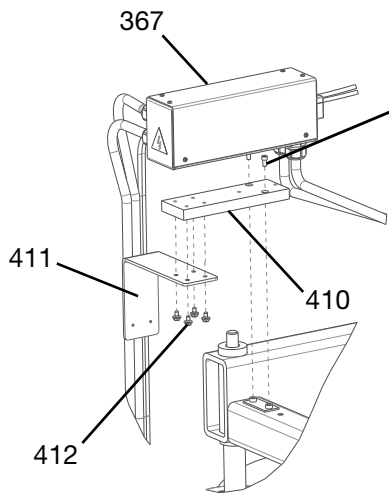
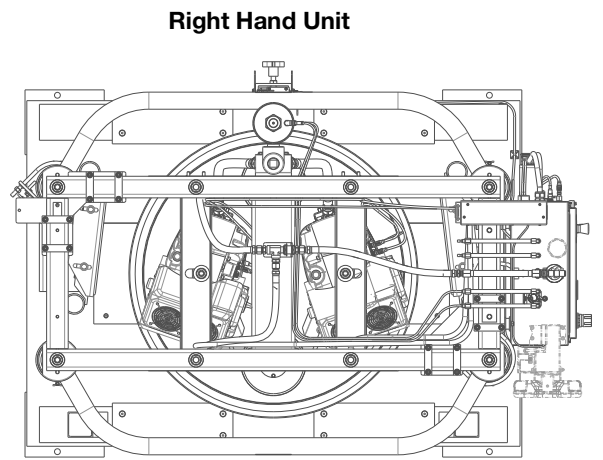
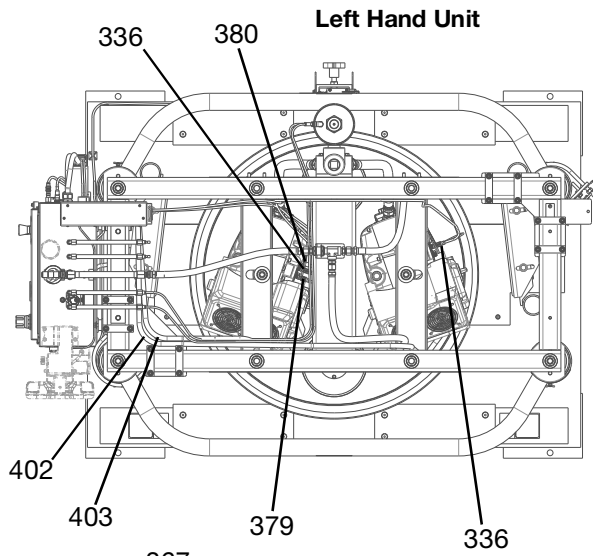
Ref.	Part	Description	Qty.
141	---	SUPPORT, APD20, UniDrum, 300 gallon	2
142	C20450	BOLT, U	6
143	15J992	ROD, threaded	2
144	C38182	WASHER, plain	4
145	15J991	ADAPTER, lift ring	2
146	109495	PACKING, o-ring	2
147	111803	SCREW, cap, hex head	4
148	196073	CLAMP	4
149	---	KIT, switch, LMT, 4 pin, oil tight	1
150	124415	CABLE, 5 pin, MF, 3.0M, molded	1
151	84/0805 /89	CABLE, tie mount, 1 x 1 SQW/adhesive	1
152	121728	CABLE, can, male-female, 4.0M	1
153	---	CABLE, M12, 8 pin, MF, 5M, molded	1
156	---	GRIP, cord, elbow, .63-.75, 3/4 NPT	2
157	128670	BOLT, flange head, serrated, M5, SST	4
158	C20811	SCREW, socket head, flat	12
161	---	SUPPORT, safety, lock out, UniDrum	1
162	---	JUNCTION BOX, UniDrum, electric, left hand	1
163	196085	COVER, left, UniDrum	1
164	196084	COVER, right, UniDrum	1
167	122487	CABLE, can, male-female, 1.5M	1
168	---	CABLE, M12, 8 pin, MF, 2M, molded	1
169	617569	FITTING, reducer, plug	2
170	C19661	BUSHING, reducing	1
171	C20487	FITTING, nipple, hex	1
172	C19491	FITTING, tee, 1-1/4 NPT(F)	1
173	C20490	FITTING, nipple, hex	1
174	---	PLATE, stand-off, manifold, 3 way	1
175	617203	BAR, support, UniDrum	1
176	---	SCREW, HHC, 3/8-16 x 4.50, MS, GR5	2
177	100307	NUT, hex	10
178	124968	FITTING, ADPT, JIC16 x 1.25 NPT, MM, 3K	2
179	15D140	MANIFOLD, 3 way, high pressure	1
180	V1M350	APPLICATOR, ball seat, 3/4 in.	1
181	16P292	COUPLING, pipe, 3/4 NPT, FXF, CS, zinc	1

Parts

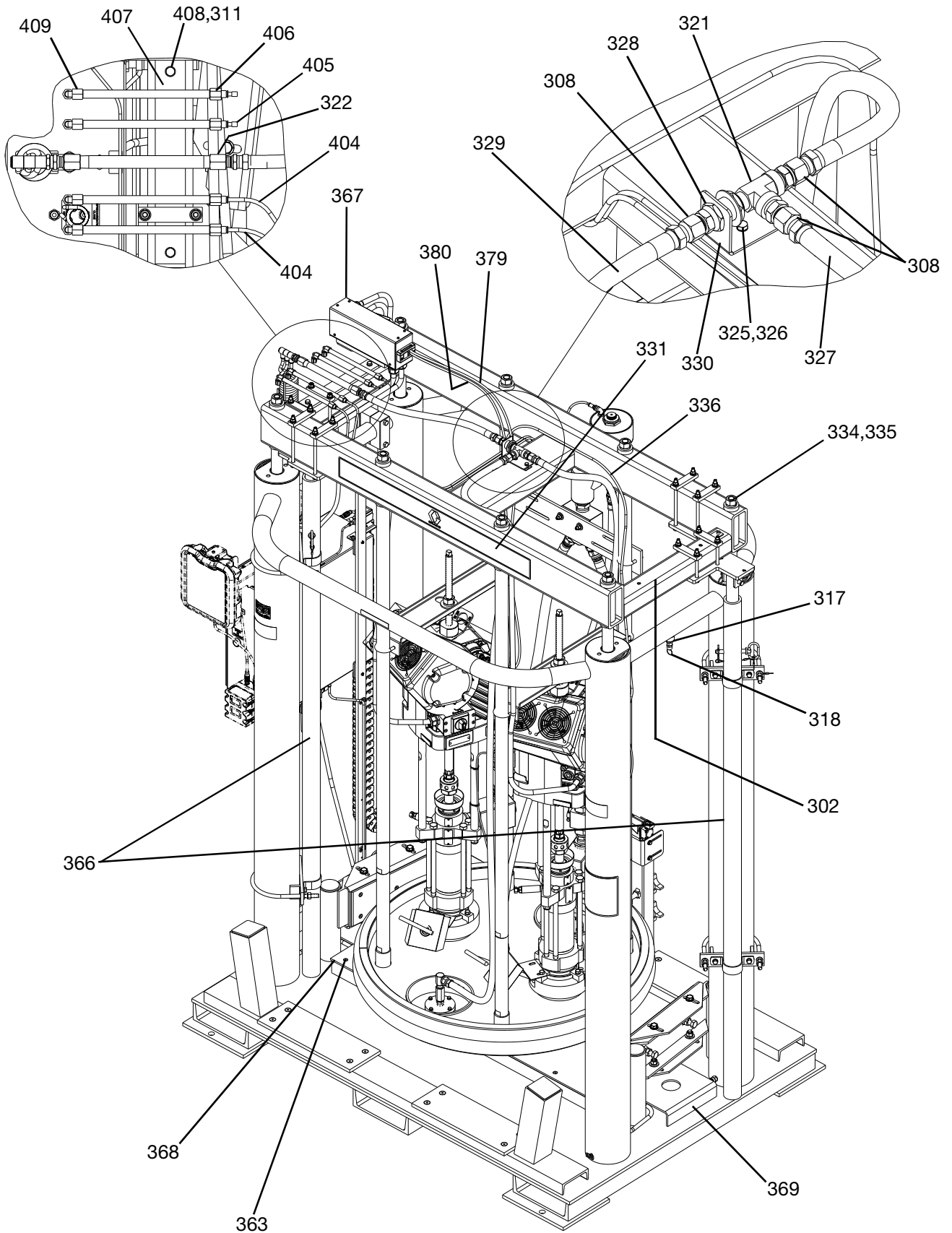
Ref.	Part	Description	Qty.
182	124406	FITTING, adapter, 3/4 NPT x 12 JIC, MS	2
183	16C542	HOSE, assembly, SS BRD, 3/4 x 72, SS	1
184	16D289	HOSE, assembly, SS BRD, 1 x 36, SS	2
185	123854	FITTING, adapter, JIC 16 x 1 NPT, MM, MS,	2
186	123888	FITTING, elbow, 45, 1 NPT, MF, CS, 4.2K	2
187	521477	VALVE, ball, 1 in.	2
188	C20489	FITTING, nipple	2
189	C19668	FITTING, bushing, reducing	2
190	---	HARNESS, UNI, 300G, power, MTR1, JB, MTR	1
191	---	HARNESS, UNI, 300G, power, MTR2, JB, MTR	1
192	125473	TUBE, pneumatic, polyurethane	10
193	125424	FITTING, plug, tube, push, 1/4	2
194	114112	FITTING, connector, female	4
195	---	MANIFOLD, air, UniDrum, electric	1
196	100469	SCREW, cap, hex head	4
197	113532	FITTING, elbow, female	4
198	---	PLATE, MTG, junction, UniDrum, electric	1
199	---	BRACKET, track, cable, UniDrum	1
200	127047	SCREW, mach, hex, flange, M6 x 1 x 10 mm	4
201	112248	NUT, hex	2
202	120993	NUT, hex, M5, with tooth washer	2
203	121112	SCREW, cap, socket head	2
204	---	HARNESS, UniDrum, M12, 5P, laser	1
205	---	COVER, protective, laser, IFM	1
206	---	SENSOR, optical, .3-6M, 24VDC	1
207	---	BRACKET, laser, UniDrum, electric	1
208	---	SCREW, SHC, M4-0.7 x 45, SS	2
209	---	KNOB, disconnect, panel, black	1
218	101550	SCREW, cap, SCH	2
219	---	CAP, plug, 1-1/4 NPT, plastic	1
220▲	196548	LABEL, caution	1

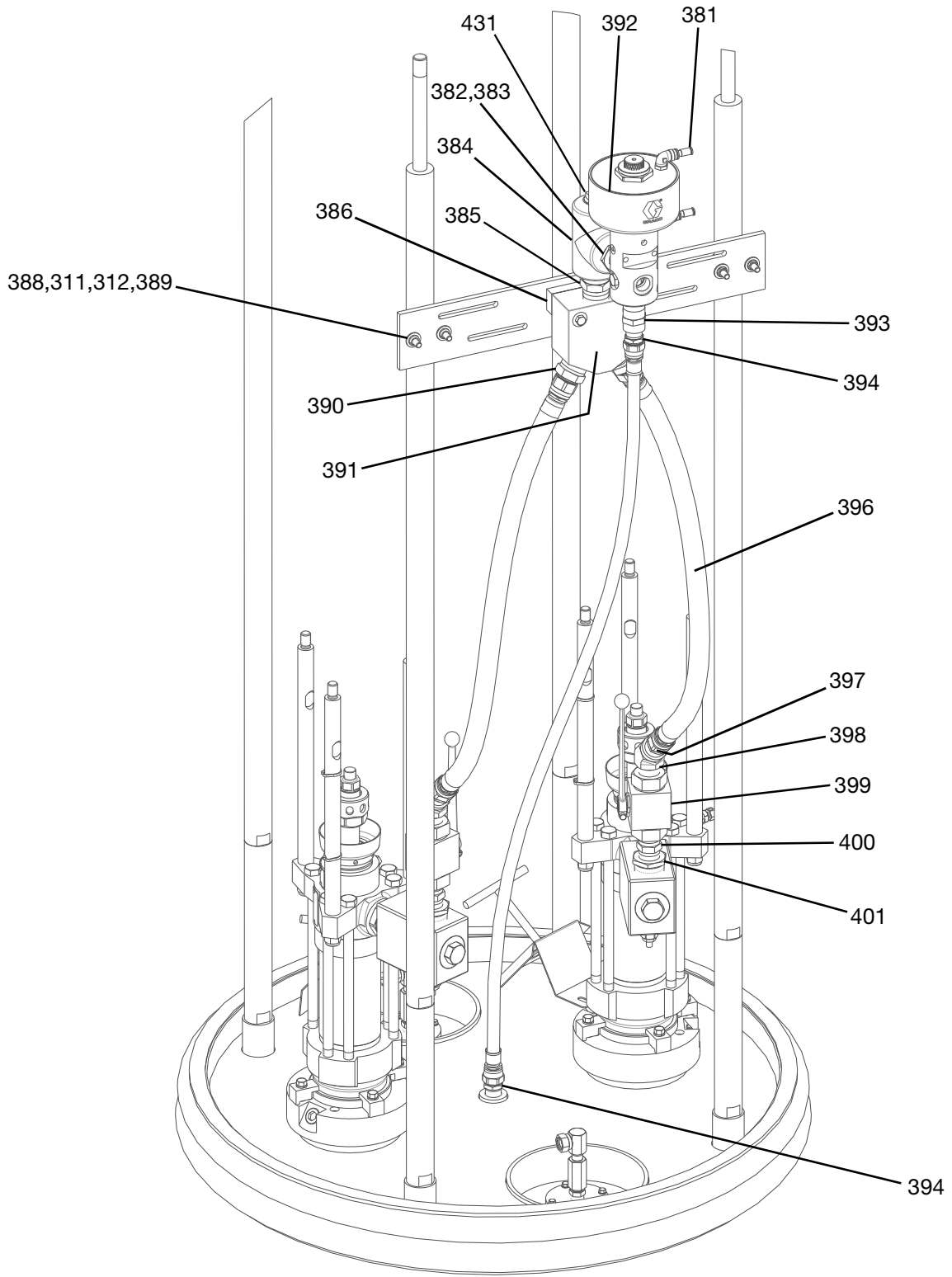
▲ Replacement safety labels, tags, and cards are available at no cost.

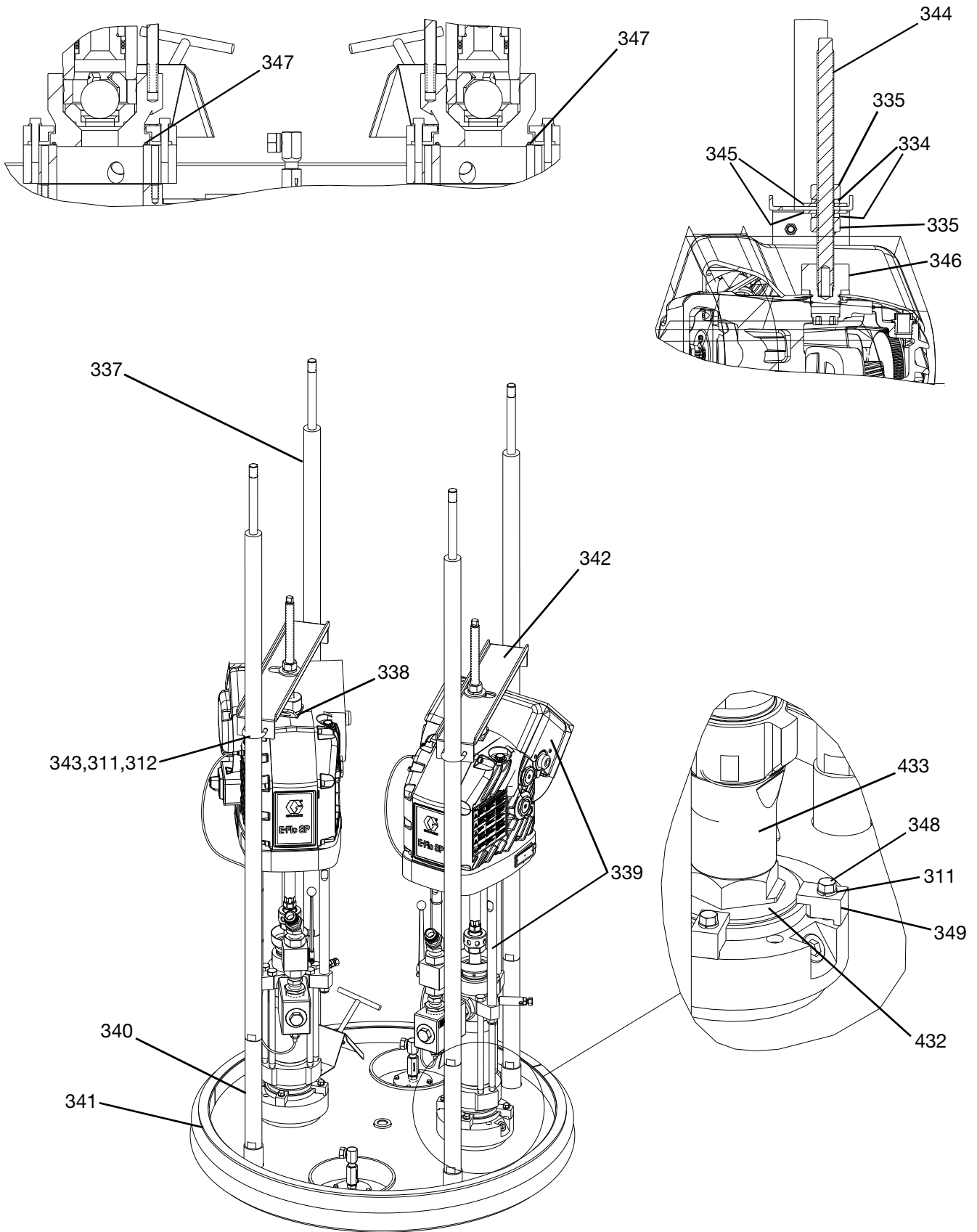
1000 Liter Supply Unit, 26D392

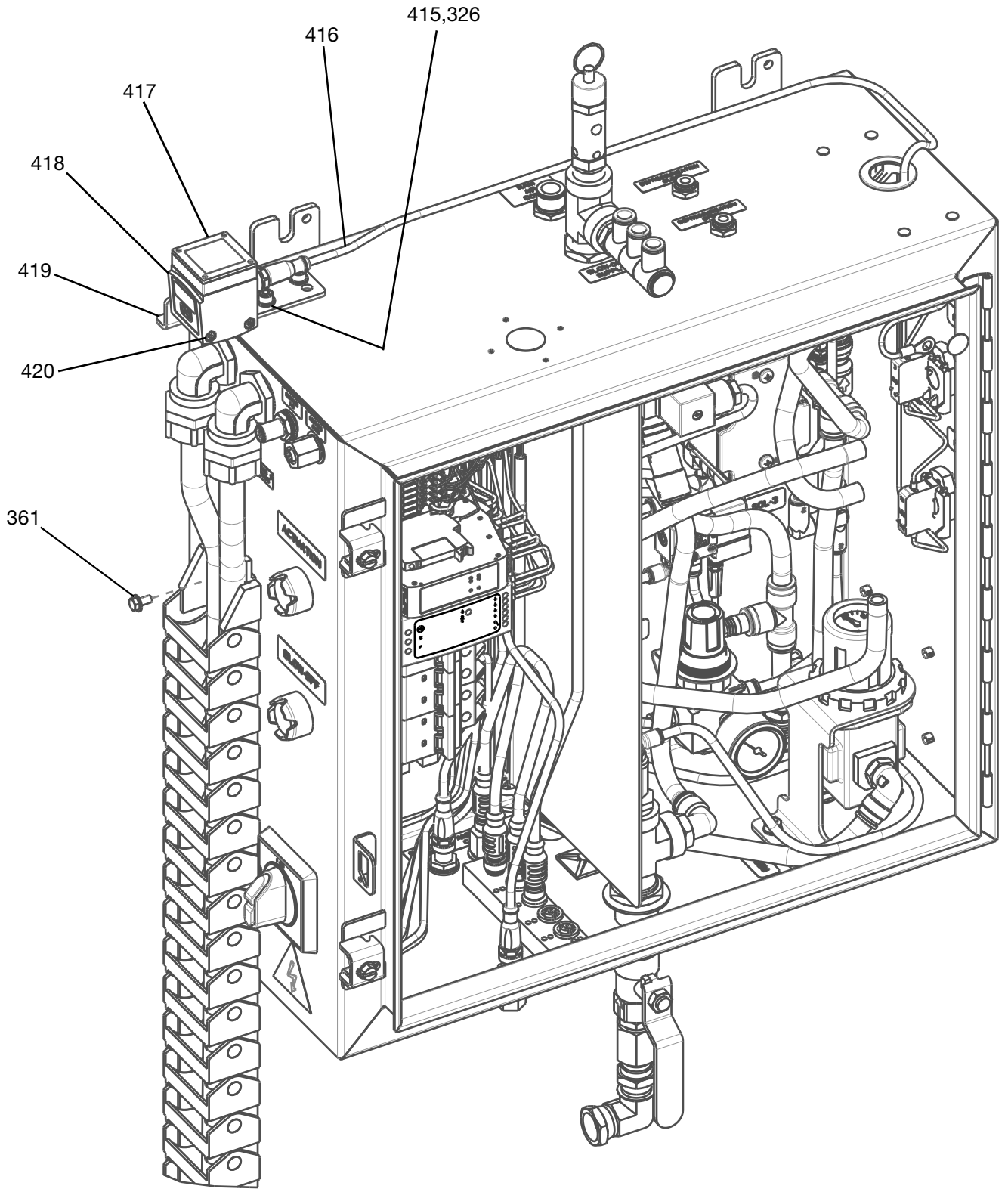


Parts









1000 Liter Supply Unit, 26D392

Ref.	Part	Description	Qty.
301	---	ELEVATOR, assembly, 1000L, 1900 mm	1
302	---	CARRIAGE, weldment, 1000L	1
303	---	MODULE, control, UniDrum, electric, 230V, left hand	1
304	---	CABLE, track, IGUS, 32 mm, UNI, 1KL	1
305	127040	BUMPER, polyurethane, 5/8-11	2
306	C20485	FITTING, nipple, hex	1
307	120997	CABLE, TURCK, RS 4T-4	1
308	C19019	FITTING, union swivel	4
309	106149	FILTER, air, 1/2 NPT	1
310	C19124	SCREW, cap, hex head	4
311	100133	WASHER, lock, 3/8	20
312	C19200	WASHER, plain	20
313	---	SUPPORT, enclosure, 1KL, UniDrum, electric	1
314	517288	TUBE, coiled	2
315	123789	COUPLER, PTC, 1/4 in. OD tubing	2
316	054139	TUBE, nylon, RD	1
317	100206	BUSHING, pipe	2
318	116643	VALVE, safety, relief, air	2
319	125411	FITTING, connector, male, 1/2 NPTF	1
320	517272	CLAMP, support	2
321	108126	FITTING, tee, street	2
322	125465	FITTING, swivel, straight, 1/2 NPT	2
323	---	MANIFOLD, 1/2 NPT, 3 port, 3/8 PTC, swivel	1
324	---	TUBE, coiled, .375 OD, 3X, 20 turns	1
325	100333	SCREW, cap, hex head	2
326	100016	WASHER, lock	6
327	---	HOSE, coupled, 98 in.	2
328	512905	FITTING, bulkhead	1
329	218093	HOSE, coupled	1
330	---	BRACKET, bulkhead, UniDrum, electric	1
331	---	LABEL, cross bar	2
334	101533	WASHER, spring lock	12
335	101535	NUT, full hex	12
336	121003	CABLE, can, female/female 3.0M	1
337	617180	ROD, connecting	4
338	15J993	RING, lift, plate	2
339	ED290C T1	PUMP, ESP, DF290CT, 240V, NO ADM	2
340	---	ROD, standoff	4

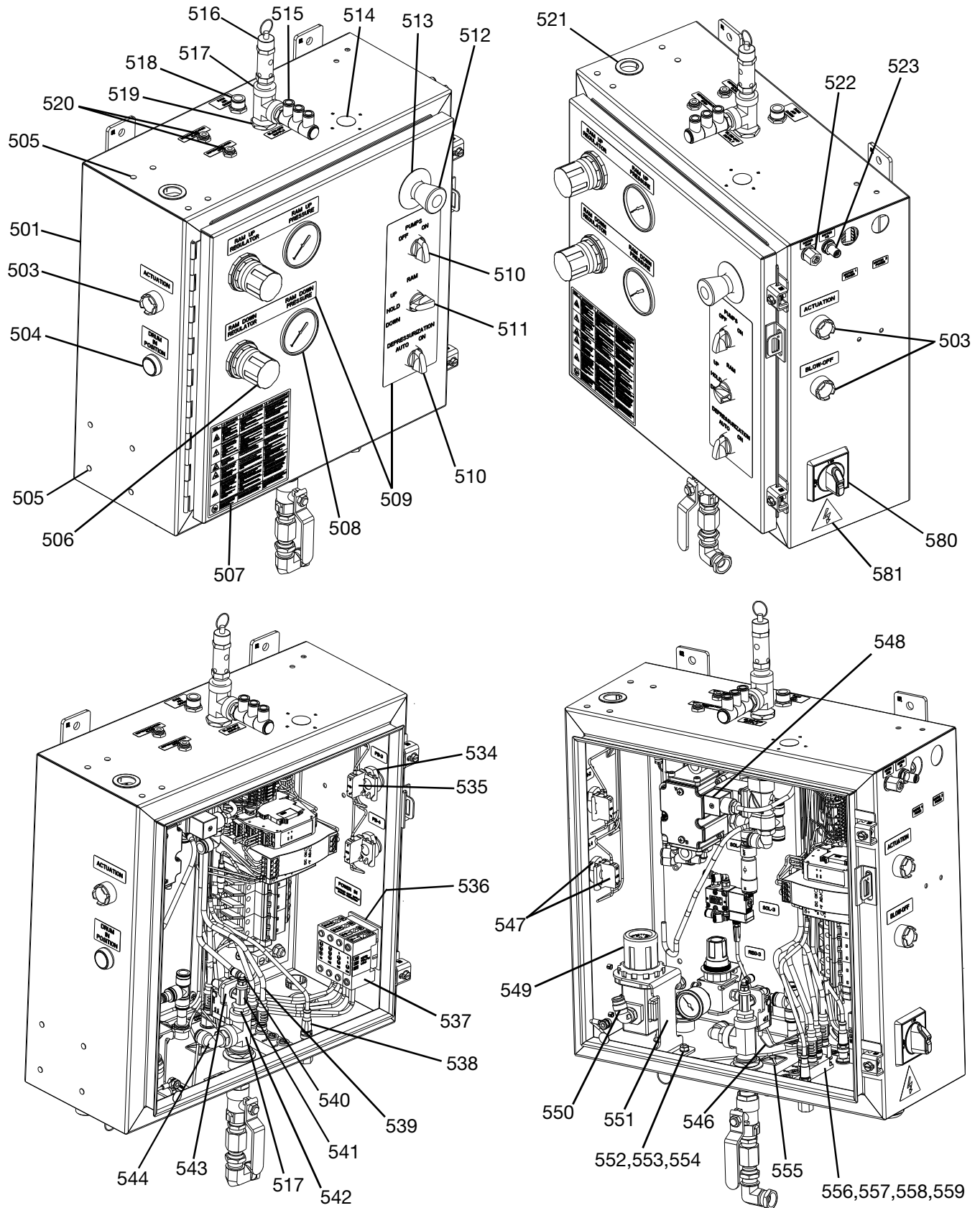
Ref.	Part	Description	Qty.
341	24R401	PLATE, ram, Check-Mate, 1000 mm	1
342	---	SUPPORT, NXT, support, 1000L	2
343	C20450	BOLT, U	6
344	15J992	ROD, threaded	2
345	C38182	WASHER, plain	4
346	15J991	ADAPTER, lift ring	2
347	109495	PACKING, o-ring	2
348	111803	SCREW, cap, hex head	4
349	196073	CLAMP	4
350	---	KIT, switch, limit, 4 pin, oil tight	1
351	124415	CABLE, 5 pin, MF, 3.0M, molded	1
352	100021	SCREW, CAP hex head	4
353	110755	WASHER, plain	4
354	16V867	BRACKET, switch, drum	1
355	84/0805 /89	CABLE, tie mount, 1 x 1 SQW/adhesive	2
356	121728	CABLE, can, male-female, 4.0M	1
357	---	CABLE, M12, 8 pin, MF, 5M, molded	1
360	---	GRIP, cord, elbow, .63-.75, 3/4 NPT	2
361	128670	BOLT, flange head, serrated, M5, SST	4
362	16V886	PAD, guide, side	2
363	C20811	SCREW, socket head, flat	22
366	---	SUPPORT, safety, lock out, UniDrum, 1	1
367	---	JUNCTION BOX, UniDrum, electric, left hand	1
368	196085	COVER, left, UniDrum	1
369	196084	COVER, right, UniDrum	1
372	---	SCREW, cap, flange head	8
373	---	GUIDE, rail	2
374	100681	NUT, jam, hex	4
375	113820	SCREW, cap, hex head	4
376	100321	NUT	8
377	100018	WASHER, lock, spring, 1/2	8
378	100696	WASHER, wrought	8
379	122487	CABLE, can, male-female, 1.5M	1
380	---	CABLE, M12, 8 pin, MF, 2M, molded	1
381	617569	FITTING, reducer, plug-in	2
382	C19661	BUSHING, reducing	1
383	C20487	FITTING, nipple, hex	1
384	C19491	FITTING, tee, 1-1/4 NPT(F)	1
385	C20490	FITTING, nipple, hex	1

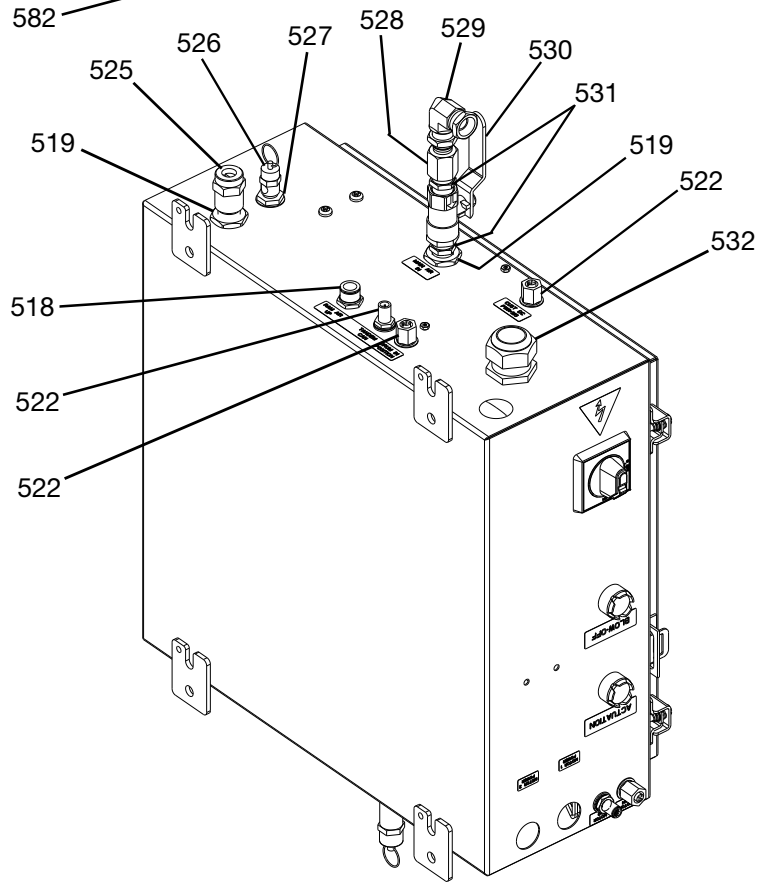
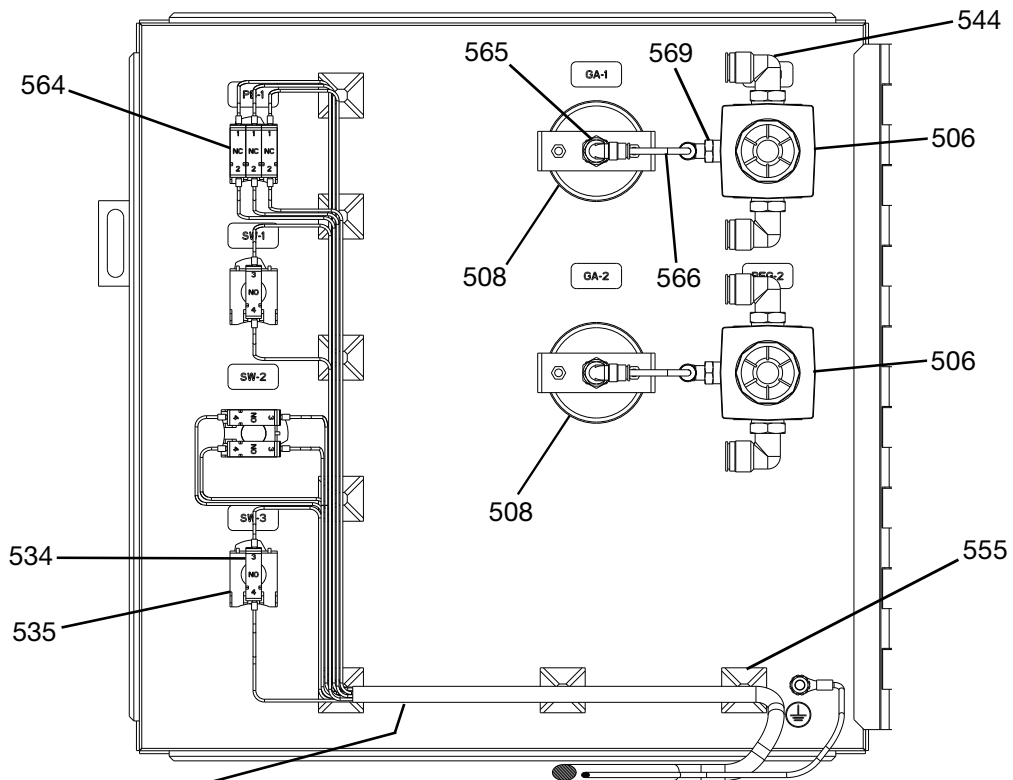
Ref.	Part	Description	Qty.
386	---	PLATE, stand-off, manifold, 3 way	1
387	---	BAR, support, 1000L	1
388	---	SCREW, HHC, 3/8-16 x 4.50, MS, GR5	2
389	100307	NUT, hex	2
390	124968	FITTING, adapter, JIC 16 x 1.25 NPT, MM, 3K	2
391	15D140	MANIFOLD, 3 way, high pressure	1
392	V1M350	APPLICATOR, ball seat, 3/4 in.	1
393	16P292	COUPLING, pipe, 3/4 NPT, FXF, CS, zinc	1
394	124406	FITTING, adapter, 3/4 NPT x 12 JIC, MS	2
395	16C542	HOSE, assembly, SS BRD, 3/4 x 72, SS	1
396	16D289	HOSE, assembly, SS BRD, 1 x 36, SS	2
397	123854	FITTING, adapter, JIC16 x 1 NPT, MM, MS	2
398	123888	FITTING, elbow, 45, 1 NPT, MF, CS, 4.2K	2
399	521477	VALVE, ball, 1 in.	2
400	C20489	FITTING, nipple	2
401	C19668	FITTING, bushing, reducing	2
402	---	HARNESS, UniDrum, 1KL, power, MTR1, JB, MTR	1
403	---	HARNESS, UniDrum, 1KL, power, MTR2, JB, MTR	1
404	125473	TUBE, pneumatic, polyurethane	10
405	125424	FITTING, plug, tube, push, 1/4	2
406	114112	FITTING, connector, female	4
407	---	MANIFOLD, air, UniDrum, electric	1
408	100469	SCREW, cap, hex head	4
409	113532	FITTING, elbow, female	4
410	---	PLATE, MTG, junction, UniDrum, electric	1
411	---	BRACKET, track, cable, UniDrum	1
412	127047	SCREW, mach, hex, flange, M6 x 1 x 10 mm	4
413	112248	NUT, hex	2
414	120993	NUT, hex, M5, with tooth washer	2
415	121112	SCREW, cap, socket head	2
416	---	HARNESS, UniDrum, M12, 5P, laser	1
417	---	COVER, protective, laser, IFM	1
418	---	SENSOR, optical, .3-6M, 24VDC	1
419	---	BRACKET, laser, UniDrum, electric	1
420	---	SCREW, SHC, M4-0.7 x 45, SS	2

Ref.	Part	Description	Qty.
421	---	KNOB, disconnect, panel, black	1
430	101550	SCREW, cap, SCH	2
431	---	CAP, plug, 1-1/4 NPT, plastic	1
432	190737	CYLINDER, intake	1
433	C38457	FITTING, coupling, reducing	1

▲ Replacement safety labels, tags, and cards are available at no cost.

Enclosure





Enclosure

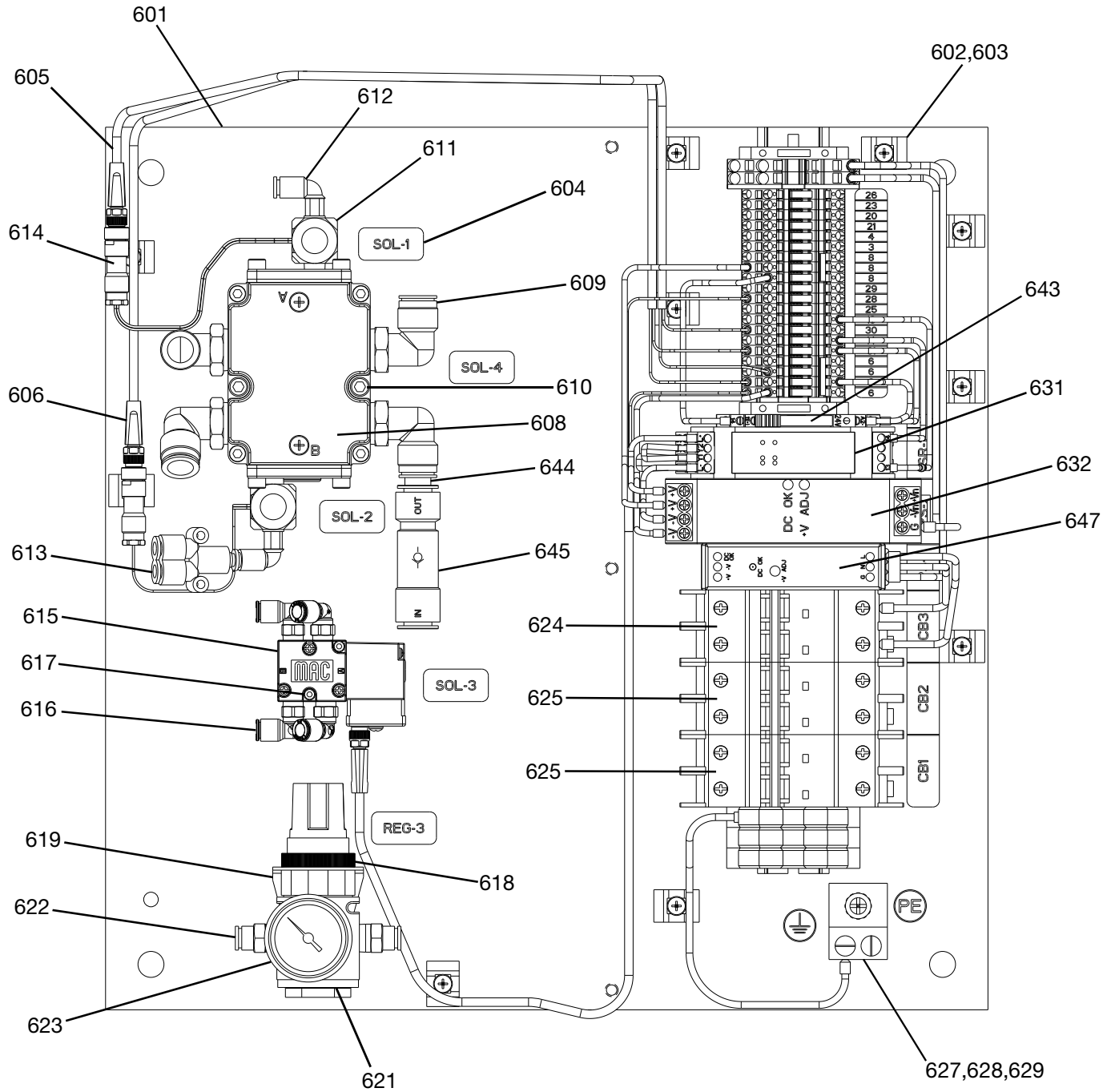
Ref.	Part	Description	Qty.
501	---	ENCLOSURE, control, uni, electric, right hand	1
502	---	MODULE, panel, uni, electric, right hand	1
503	---	BUTTON, operator, pb, flush, white, guard	3
504	81/2056 -G/11	RUTTON, operpor, pl, green	1
505	---	PLUG, hole, snap-in, 0.25 diameter, black	8
506	16T410	REGULATOR, air 1/2 NPT	2
507▲	17J476	LABEL, safety, warning	1
508	125452	GAUGE, pressure, air, panel mount	2
509	---	LABEL, enc, uni, electric, multiple	1
510	81/2063 /11	SWITCH, operator, sel, 2P	2
511	81/2064 /11	BUTTON, operator, sel, 3P	1
512	81/2060 -E/11	BUTTON, mush, maint, twist, red	1
513	81/2060 -EL/11	LABEL, legend, e-stop, 60 mm	1
514	123812	PLUG, hole, 0.875 in.	1
515	---	MANIFOLD, 1/2 NPT, 3 port, 3/8 PTC, swivel	1
516	---	VALVE, safety, relief, air, 10 psi	1
517	108126	FITTING, tee, street	2
518	125421	FITTING, bulkhead, union, M20 x 1/2	2
519	512905	FITTING, bulkhead	3
520	125420	FITTING, bulkhead, M14 x 1/4 tube	2
521	123679	BUSHING, wire protector, 1 3/8 OD	1
522	121612	CONNECTOR, thru, M12, MXF	4
523	122540	CONNECTOR, thru, M12, MXF, 8 pin	1
524	---	PLUG, hole, snap-in, 1.125 diameter, bl	1
526	116643	VALVE, safety, relief, air	1
527	104641	FITTING, bulkhead	1
528	125465	FITTING, swivel, straight, 1/2 NPT	1
529	125466	FITTING, swivel, elbow, 1/2 NPT, MF	1
530	125512	VALVE, ball, vented, 0.500	1
531	125408	FITTING, nipple, hex, 1/2 NPTF	3
532	117682	BUSHING, strain relief	1

Ref.	Part	Description	Qty.
534	81/2070 /11	LATCH, operator	7
535	81/2080 -1/11	CONTACT, block, no	7
536	---	SWITCH, disconnect 63 amp	1
537	---	CONTACT, auxiliary, disconnect, 80 amp	1
538	---	HARNESS, uni, M12, 5P, dc power, CS1	1
539	122487	CABLE, can, male-female, 1.5 m	1
540	597151	FITTING, elbow	1
541	110475	FITTING, street, tee	1
542	556405	FITTING, 1/2 x 1/8 NPTF hex red	1
543	23232-0 0	SWITCH, pressure, adjustable	1
544	125431	FITTING, elbow, male, swivel	6
546	---	HARNESS, uni, M12, 8P, MTR I/O	1
547	81/2072 -2/11	LIGHT, led, white, 24 VDC, latch	1
549	120897	REGULATOR, air, with integral gauge	1
550	114114	FITTING, elbow, male, swivel	2
551	---	BRACKET, reg, uni, electric	1
552	113783	SCREW, machine, pn hd	5
553	100016	WASHER, lock	2
554	100015	NUT, hex mscr	2
555	84/0805 /89	CABLE, tie mount	15
556	123466	CONNECTOR	1
557	102410	SCREW, cap soc hd	2
558	100068	WASHER, lock, spring	2
559	100072	NUT, hex mscr	2
560	---	CABLE, GCA, can, M12, 5P, F	1
561	123680	CABLE, can, male/male 0.5 m	1
563	---	BARRIER, enclosure, uni, electric	1
564	81/2081 -1/11	CONTACT, block, nc	3
565	125410	FITTING, coupling, 1/4 x 1/4 NPTF	2
566	125472	TUBE, pneumatic, polyurethane	0.5 ft
567	125473	TUBE, pneumatic, polyurethane	11 ft
568	125474	TUBE, pneumatic, polyurethane	13 ft
569	114469	FITTING, elbow, m swivel	4
570	125416	FITTING, union, tee	5
571	125422	FITTING, reducer, plug-in	4
572	617569	FITTING, reducer, plug-in	2
573	125501	VALVE, pneumatic, check, push in	1

Ref.	Part	Description	Qty.
574	114111	FITTING, connector, male	1
575	125515	FITTING, tee, branch, swivel, male	1
576	125415	FITTING, union, tee 1/4 tube	1
577	C19019	FITTING, union swivel	1
578	---	VALVE, sol, 1/2 NPT, 24 VDC	1
580	123967	KNOB, operator disconnect	1
581▲	196548	LABEL, caution	1
582	---	HARNESS, uni, 20 AWG, 15 cond, door sw	1
583	---	VALVE, relay, air, 1/4, PTC, swivel	1
584	---	FERRULE, wire, 22 AWG	1

▲ Replacement safety labels, tags, and cards are available at no cost.

Enclosure Back Panel



Enclosure Back Panel

Ref.	Part	Description	Qty.
601	---	PANEL, electric, unidrum, right hand	1
602	123452	HOLDER, anchor, wire tie, nylon	10
603	103833	SCREW, mach, CRBH	14
604	---	LABEL, panel, uni, electric, multiple	1
605	---	HARNESS, uni, M8, 4P, SOL1	1
606	---	HARNESS, uni, M8, 4P, SOL2	1
607	---	HARNESS, uni, M8, 4P, SOL3	1
608	---	VALVE, dual, 4/3, CS, remote pilot	1
609	125431	FITTING, elbow, male, swivel	4
610	107445	SCREW, cap, sch	2
611	121537	MANIFOLD, 10-32 in., 1/8 NPT out, nibr	2
612	124892	FITTING, elbow, swivel, 1/4 tube x 10-32 m	2
613	114158	FITTING, adapter, Y	1
614	256559	VALVE, assembly, solenoid, refill, PR70	2
615	25V521	SOLENOID, 1/8 NPT, 24 VDC, 12W	1
616	597151	FITTING, elbow	4
617	C19965	SCREW, cap, socket head	2
618	125505	NUT, pneumatic, regulator, plast	1
619	125508	BRACKET, mounting, regulator	1
620	551787	SCREW, cap, 10, ss, but hd	2
621	125507	VALVE, pneumatic, regulator, 1/4 NP	1
622	---	CONNECTOR, male	2
623	125511	GAUGE, pressure, air	1
624	---	CIRCUIT, breaker, 2P, 3A, UL489	1
625	123298	CIRCUIT, breaker, 2P, 20A, UL489	2
627	117666	TERMINAL, ground	1
628	100985	WASHER, lock ext	1
629	113783	SCREW, machine	1
631	---	RELAY, 24 VDC, 6A/240V, safety	1
632	---	POWER SUPPLY, 24VDC, DC-DC, 120W, 5A	1
643	123386	RELAY, 24VDC coil, spdt, 6A/240V	1
644	125425	FITTING, union, push in, 5/32 tube	1
645	---	VALVE, check, air, 1/2 PTC	1
647	---	POWER SUPPLY, 24VDC, 1.0A, 24W	1

Elevator Assembly, 241902

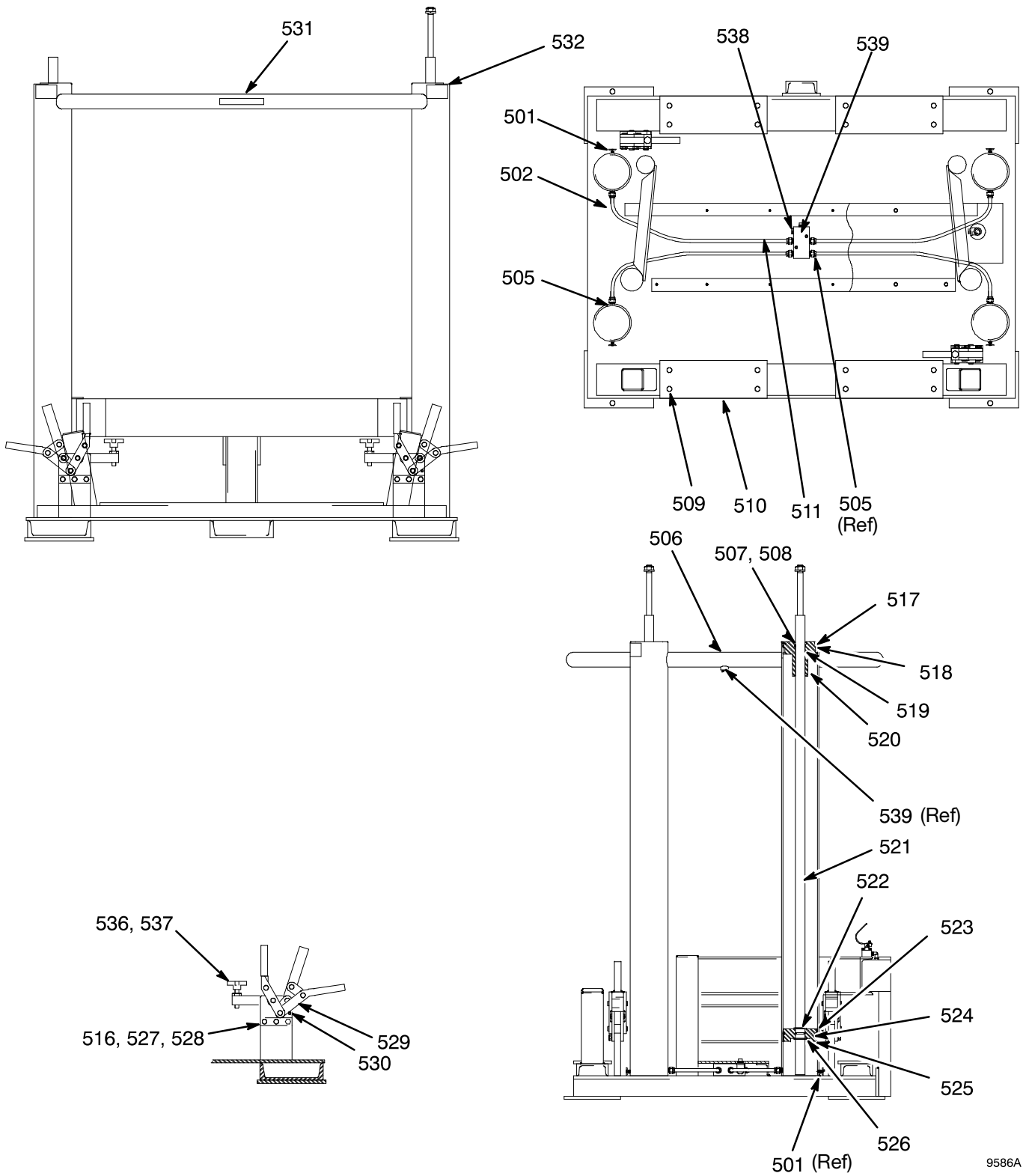


FIG. 1

9586A

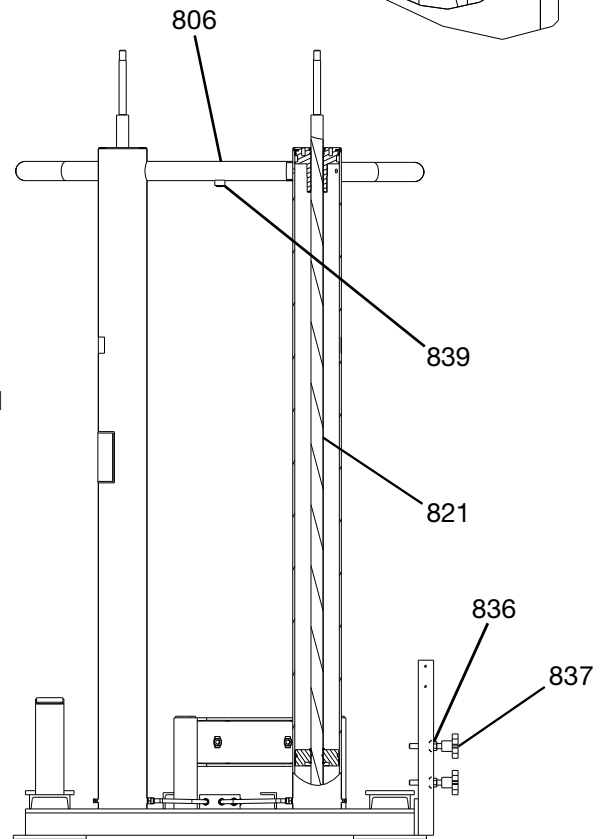
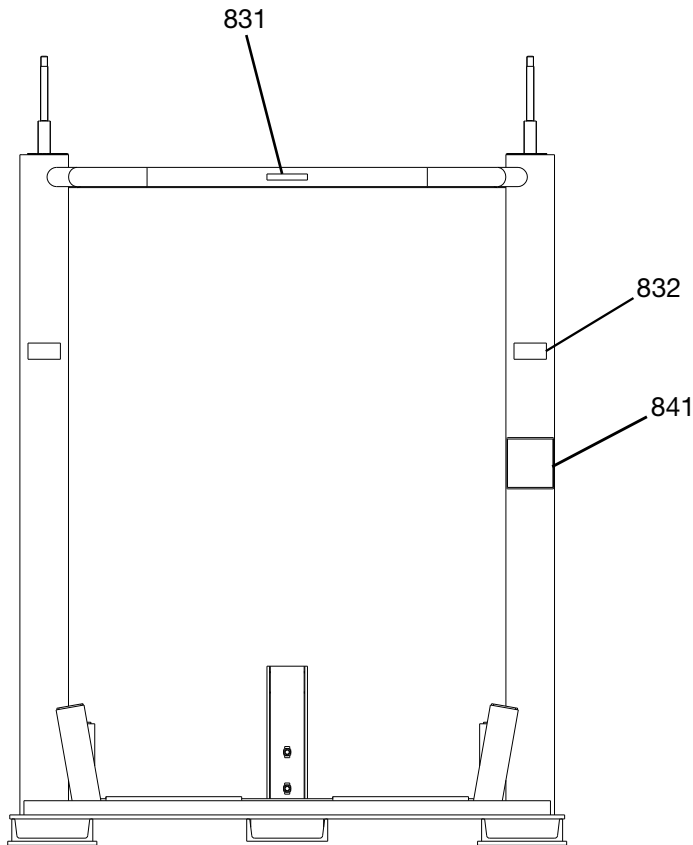
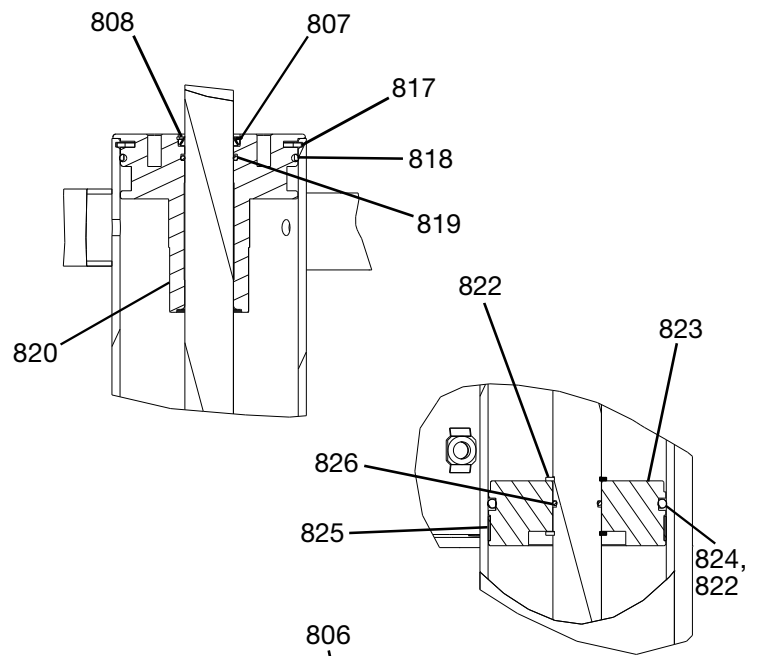
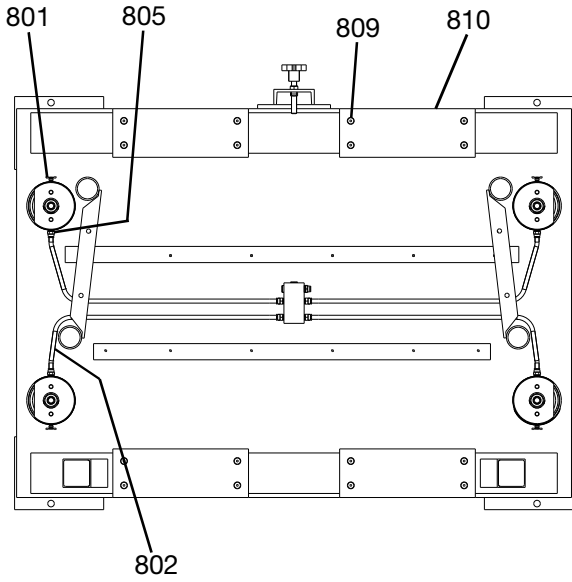
Elevator Assembly, 241902

Ref.	Part	Description	Qty.
701	517269	DRAIN COCK	4
702	054139	TUBE; 1/2 in.	11.3 ft
705	114129	CONNECTOR, male	8
706	---	FRAME, elevator	1
707*	C31001	WIPER, rod	4
708*	C03043	RING, snap	4
709	C20808	SCREW, socket, flat-head	16
710	617179	PAD, rest	4
716	100321	NUT	6
717*	C03042	RING, lock	4
718*	121306	O-RING	4
719*	156593	O-RING	4
720	C31000	SLEEVE	4
721	617176	ROD, lift	4
722*	C20417	RING, retaining	8
723	C03046	PISTON, elevator	4
724*	C20280	O-RING	4
725*	C03047	GUIDE, band	4
726*	158776	O-RING	4
727	C19130	SCREW, cap, hex hd	6
728	100018	WASHER, lock	6
729	194968	CLAMP	2
730	517281	PIN, spring	2
731▲	C14022	LABEL, warning	2
732▲	C14007	LABEL, warning	4
736	100681	NUT, jam, hex	2
737	517411	KNOB	2
738	114111	CONNECTOR, male	1
739	100361	PLUG, pipe	3

* These parts may be purchased separately or in Repair Kit 918110.

▲ Replacement safety labels, tags, and cards are available at no cost.

Elevator Assembly



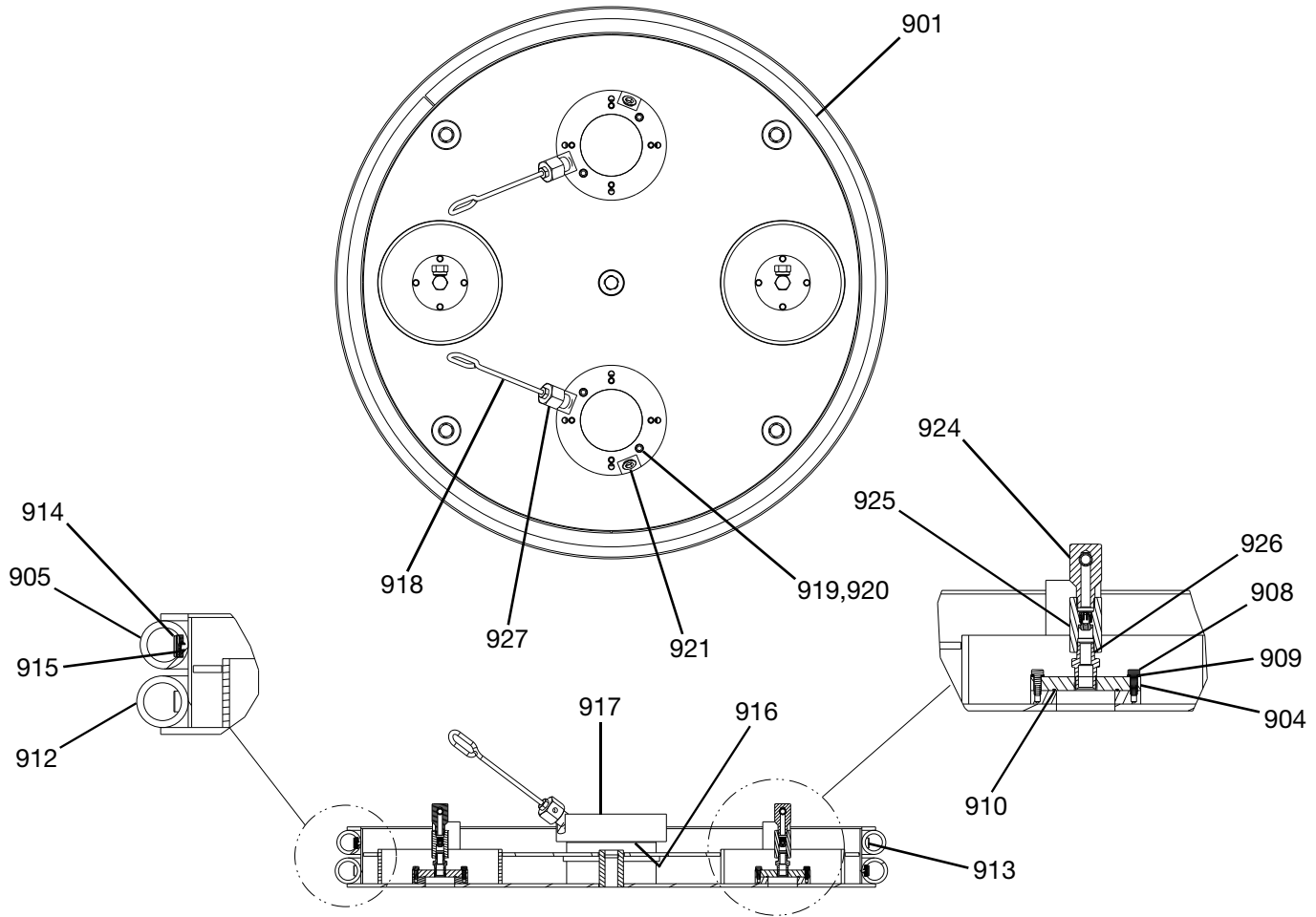
Elevator Assembly

Ref.	Part	Description	Qty.
801	517269	VALVE, drain cock	4
802	054139	TUBE, nylon, rd	11.3 ft
805	114129	FITTING, connector, male	8
806	---	ELEVATOR, weldment, 1000L, tall	1
807*	C31001	WIPER, rod, 1.5 in.	4
808*	C03043	RING, snap, internal, 1.875	4
809	C20808	SCREW, sockethead, flat	16
810	617179	PAD, rest	4
817*	C03042	RING, spirolox	4
818*	121306	PACKING, o-ring	4
819*	156593	PACKING, o-ring	4
820	C31000	SLEEVE, guide	4
821	---	ROD, lift	4
822*	C20417	RING, retaining, external, 1.500	8
823	C03046	PISTON, elevator	4
824*	C20280	O-RING	4
825*	C03047	GUIDE, band	4
826*	158776	PACKING, o-ring	4
831▲	C14022	LABEL, warning	2
832▲	15J074	LABEL, safety, crush & pinch	4
836	100681	NUT, jam, hex	2
837	16U114	KNOB, clamp, UniDrum, 1000L	2
838	114111	FITTING, connector, male	1
839	100361	PLUG, pipe	4
841▲	15M511	LABEL, warning, ENG/SPAN/FRE	1

* These parts may be purchased separately or in Repair Kit 918110.

▲ Replacement safety labels, tags, and cards are available at no cost.

Follower Plate Assembly (1000 Liter SS)



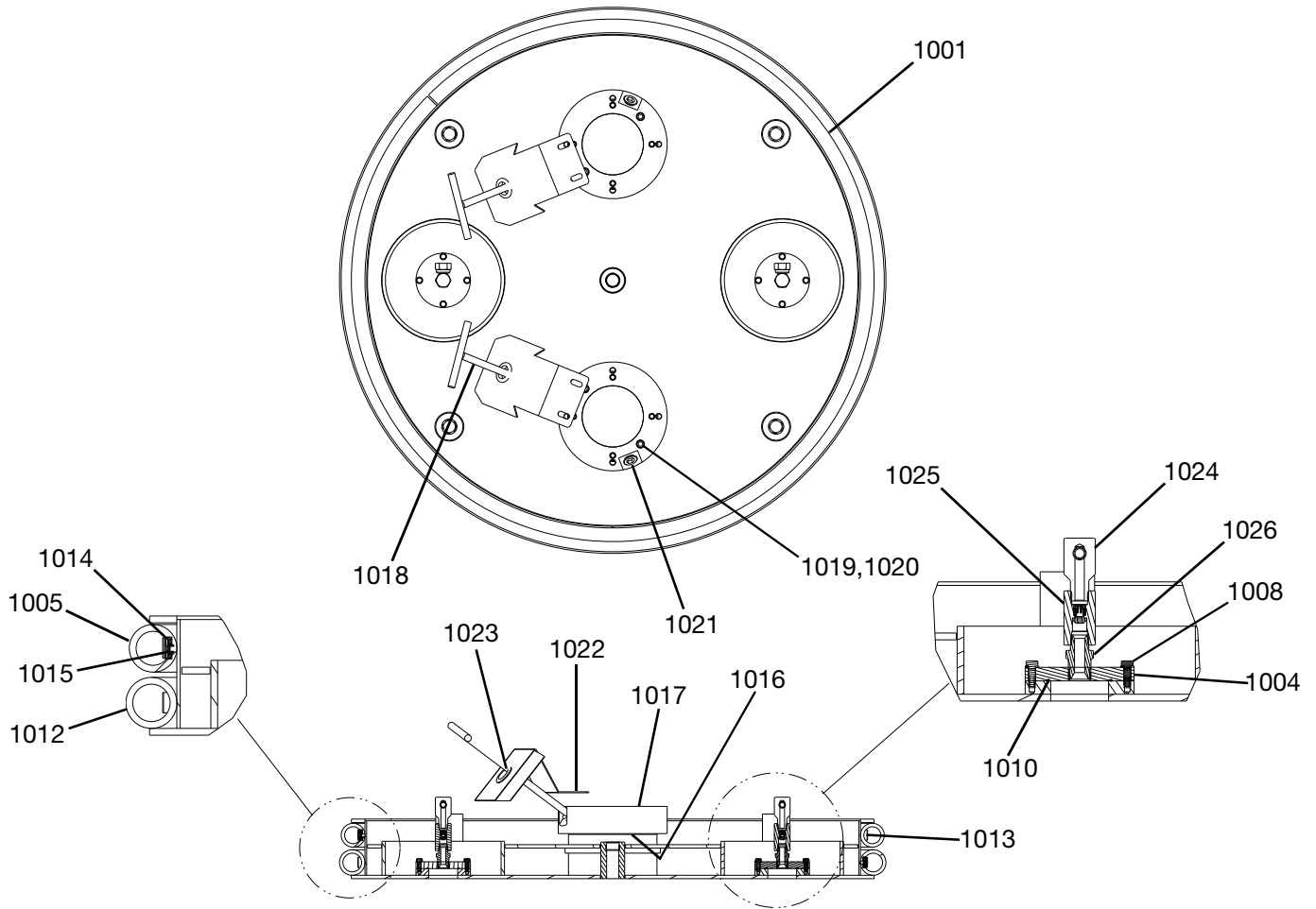
Follower Plate Assembly (1000 Liter SS)

Ref.	Part	Description	Qty.
901	---	INDUCTOR, plate, weldment, 1000 mm, SST	1
904	---	PLATE, blow-off, air, SST	2
905	16X984	HOSE, wiper	1
908	100022	SCREW, cap, hex head	8
909	100016	WASHER, lock	8
910	112245	PACKING, o-ring	2
912*	16V045	HOSE, wiper	1
913	---	STRIP, carbon steel	24 ft
914	101817	CLAMP, banding	2
915	115785	SCREW, set, socket head	2
916	617230	GASKET	2
917	---	ADAPTER, ring, SST	2
918	---	HANDLE, bleed, SST, assembly	2
919	C19843	SCREW, cap, socket head	4
920	106115	WASHER, lock (hi-collar)	4

Ref.	Part	Description	Qty.
921	125009	PLUG, 3/4 in. NPT, socket head, M, SS	2
924	217430	FITTING, swivel, union, 90 degree	2
925	114243	VALVE, check	2
926	123724	FITTING, nipple, hex, 1/2 NPT x 3/8 NPT	2
927	---	ADAPTER, bleed, UniDrum, SST	2
928*	24X821	KIT, banding, seal, UniDrum	1

* To replace the seals, order two hose wipers (16V045) and banding kits (24X821).

Follower Plate Assembly (1000 Liter CS), 24R401



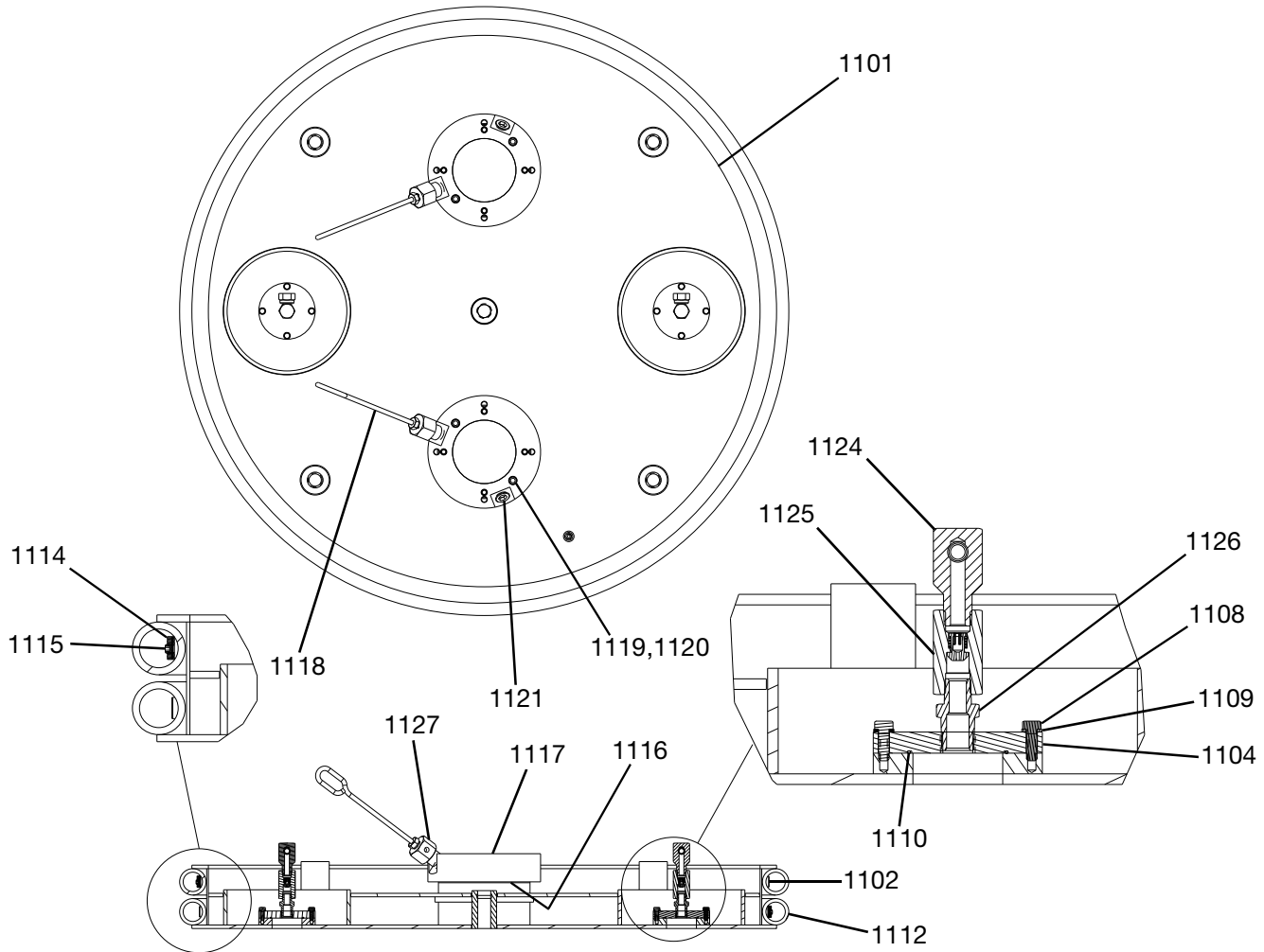
Follower Plate Assembly (100 Liter CS), 24R401

Ref.	Part	Description	Qty.
1001	---	INDUCTOR, plate, weldment, 1000 mm	1
1004	16V019	PLATE, blow-off, air	2
1005	16X984	HOSE, wiper	1
1008	100022	SCREW, cap, hex head	8
1009	100016	WASHER, lock	8
1010	112245	PACKING, o-ring	2
1012*	16V045	HOSE, wiper	1
1013	---	STRIP, carbon steel	24 ft
1014	101817	CLAMP, banding	2
1015	115785	SCREW, set, socket head	2
1016	617230	GASKET	2
1017	196072	ADAPTER, ring	2
1018	---	PLUG, vent, UniDrum, Check-Mate	2

Ref.	Part	Description	Qty.
1019	C19843	SCREW, cap, socket head	4
1020	106115	WASHER, lock (hi-collar)	4
1021	102726	PLUG, pipe headles	2
1022	196122	SHIELD	2
1023	114269	GROMMET, rubber	2
1024	217430	FITTING, swivel, union, 90 degree	2
1025	114243	VALVE, check	2
1026	159239	FITTING, nipple, pipe, RDCG	2
1027*	24X821	KIT, banding, seal, UniDrum	1

* To replace the seals, order two hose wipers (16V045) and banding kits (24X821).

Follower Plate Assembly (300 Gallon SS), 24R972



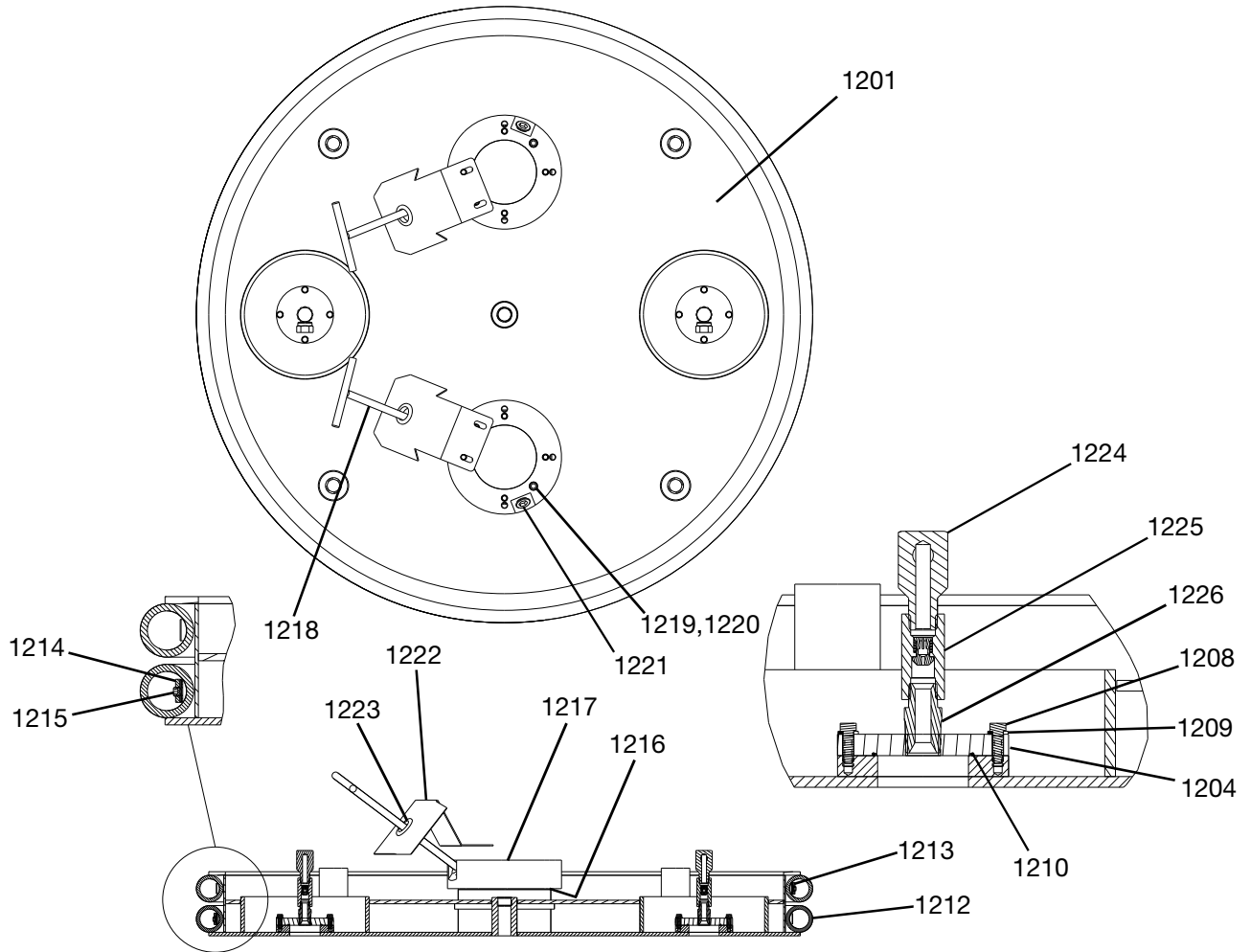
Follower Plate Assembly (300 Gallon SS), 24R972

Ref.	Part	Description	Qty.
1101	24R955	INDUCTOR, plate, weldment, SST, 41.5 in.	1
1104	---	PLATE, blow-off, air, SST	2
1108	100022	SCREW, cap, hex head	8
1109	100016	WASHER, lock	8
1110	112245	PACKING, o-ring	2
1112*	617195	HOSE, wiper	2
1113*	---	STRIP, carbon steel	24 ft
1114*	101817	CLAMP, banding	2
1115*	115785	SCREW, set, socket head	2
1116	617230	GASKET	2
1117	---	ADAPTER, ring, SST	2
1118	---	HANDLE, bleed ,SST, assembly	2
1119	C19843	SCREW, cap, socket head	4

Ref.	Part	Description	Qty.
1120	106115	WASHER, locker (hi-collar)	4
1121	125009	PLUG, 3/4 in. NPT, socket head, M, SS	2
1124	217430	FITTING, swivel, union, 90 degree	2
1125	114243	VALVE,CHECK	2
1126	123724	FITTING, nipple, hex, 1/2 NPT x 3/8 NPT	2
1127	---	ADAPTER, bleed, UniDrum, SST	2

* Parts used in wiper repair kit (918241).

Follower Plate Assembly (300 Gallon CS)



Follower Plate Assembly (300 Gallon CS)

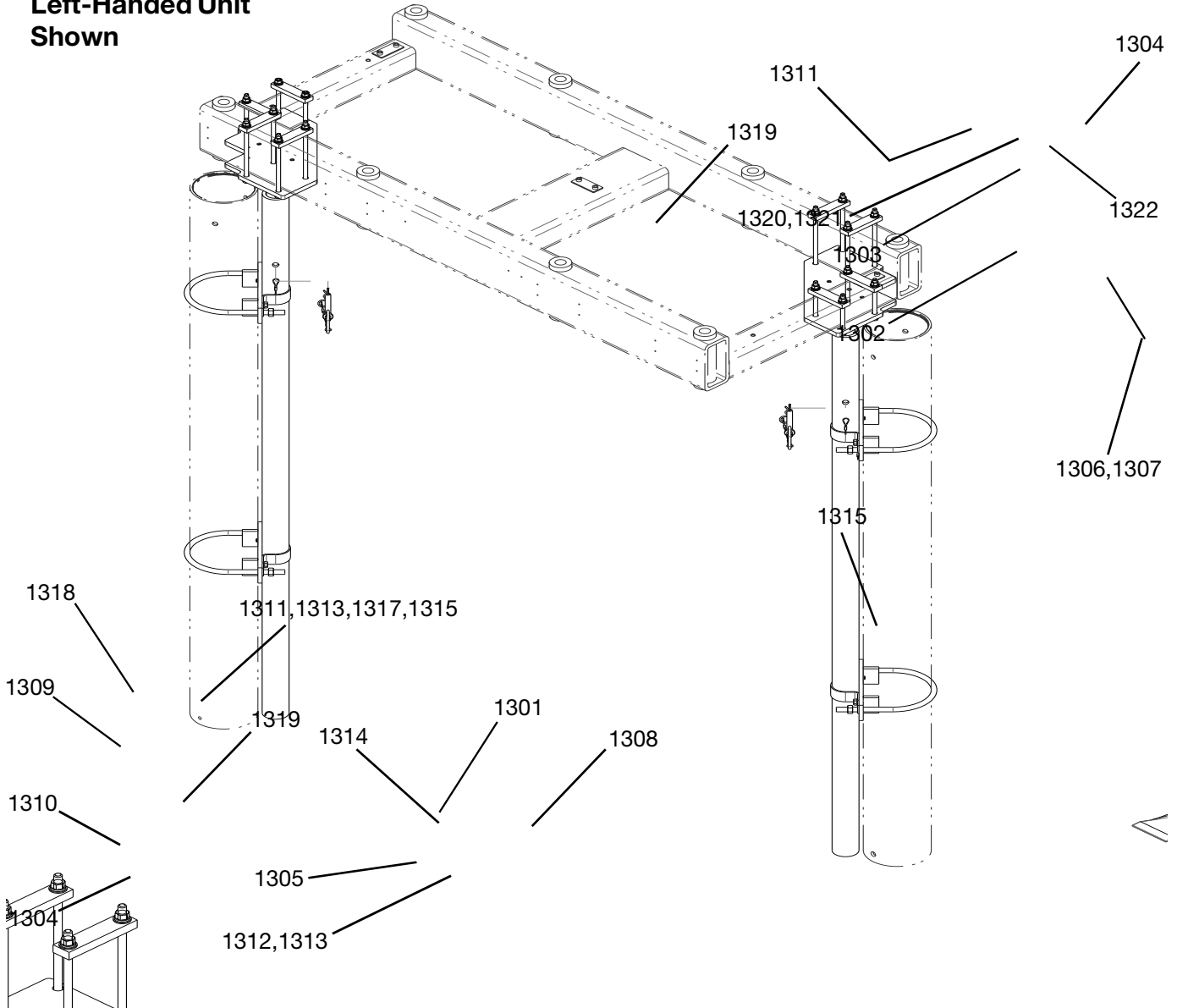
Ref.	Part	Description	Qty.
1201	233040	INDUCTOR, plate, weldment	1
1204	16V019	PLATE, blow-off, air	2
1208	100022	SCREW, cap, hex hd	8
1209	100016	WASHER, lock	8
1210	112245	PACKING, o-ring	2
1212*	617195	HOSE, wiper	2
1213*	---	STRIP, carbon steel	24 ft
1214*	101817	CLAMP, banding	2
1215*	115785	SCREW, set, socket head	2
1216	617230	GASKET	2
1217	196072	ADAPTER, ring	2
1218	233044	PLUG, vent	2
1219	C19843	SCREW, cap, socket head	4

Ref.	Part	Description	Qty.
1220	106115	WASHER, lock (hi-collar)	4
1221	102726	PLUG, pipe headles	2
1222	196122	SHIELD	2
1223	114269	GROMMET, rubber	2
1224	217430	FITTING, swivel, union, 90 degree	2
1225	114243	VALVE, check	2
1226	159239	FITTING, nipple, pipe, RDCG	2

* Parts used in wiper repair kit (918241).

Safety Pin Maintenance Kit, 26B772

Left-Handed Unit
Shown

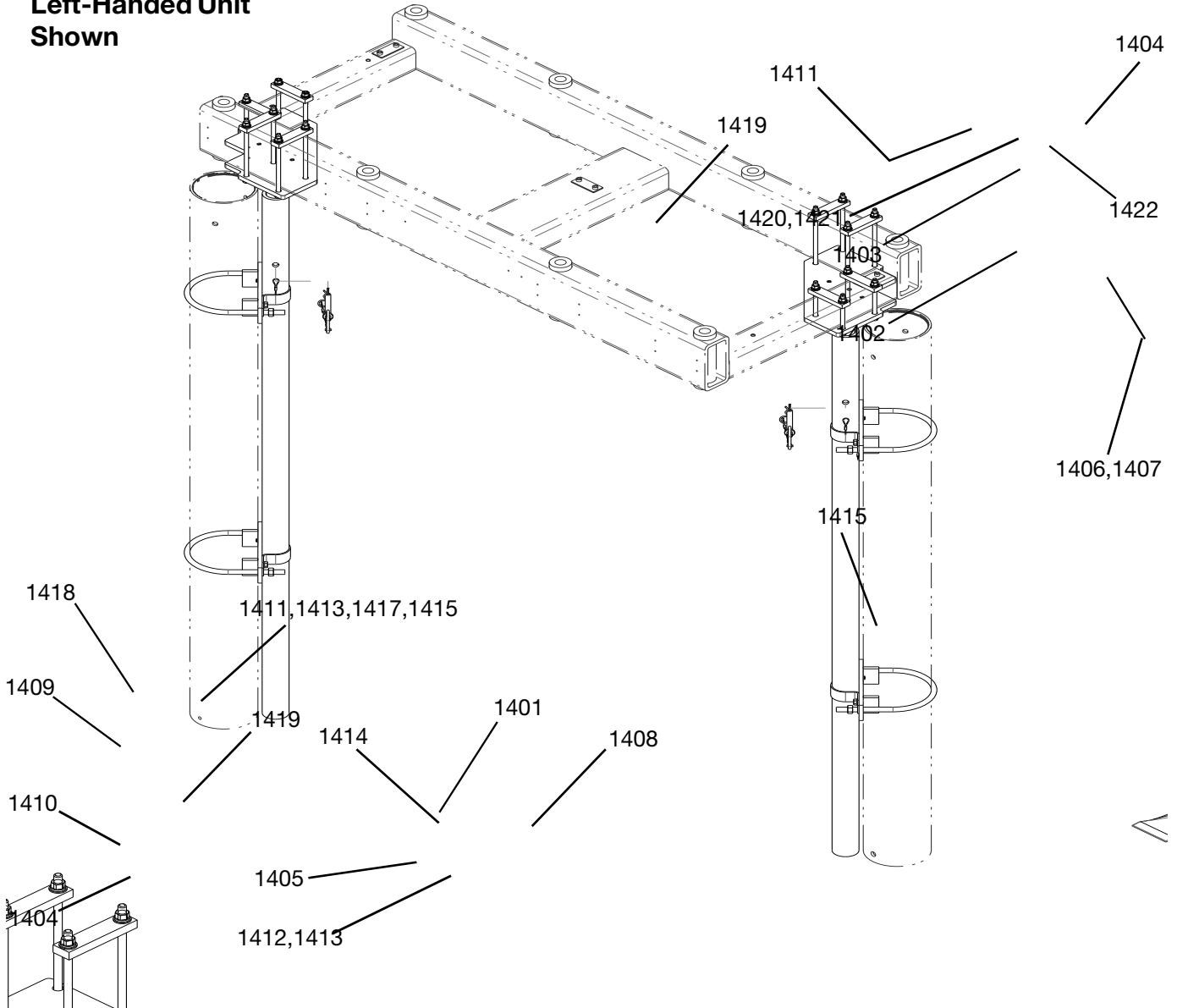


Safety Pins, 26B772

Ref.	Part	Description	Qty.
1301	26B769	BRACKET, cylinder support	4
1302	18D250	TUBE, support, outer	2
1303	18D251	TUBE, support, inner	2
1304	18D249	PLATE, base, lock out	2
1305	133303	STRAP, pipe, 2 in.	4
1306	16Y456	PIN, safety, hitch	2
1307	15G945	CABLE, lanyard, 24 in.	2
1308	15G946	BOLT, U, 1/2 x 8.375	4
1309	133306	SCREW, HHC	8
1310	123389	SCREW	8
1311	101971	WASHER, thrust	32
1312	---	SCREW, HHC	8
1313	100133	WASHER, lock, 3/8	24
1314	100018	WASHER, lock, spring, 1/2	8
1315	113500	ADHESIVE, anaerobic	1
1317	100307	NUT, hex	16
1318	18D253	PLATE, mounting, u-bolt, 3/8	7
1319	18D254	PLATE, mounting, u-bolt, 3/8, thk	1
1320	18D252	BRACKET, lock out, unidrum	2
1321	113802	SCREW, hex head, flanged	4
1322	133305	PIN, clevis	2

Safety Pin Maintenance Kit, 26B774

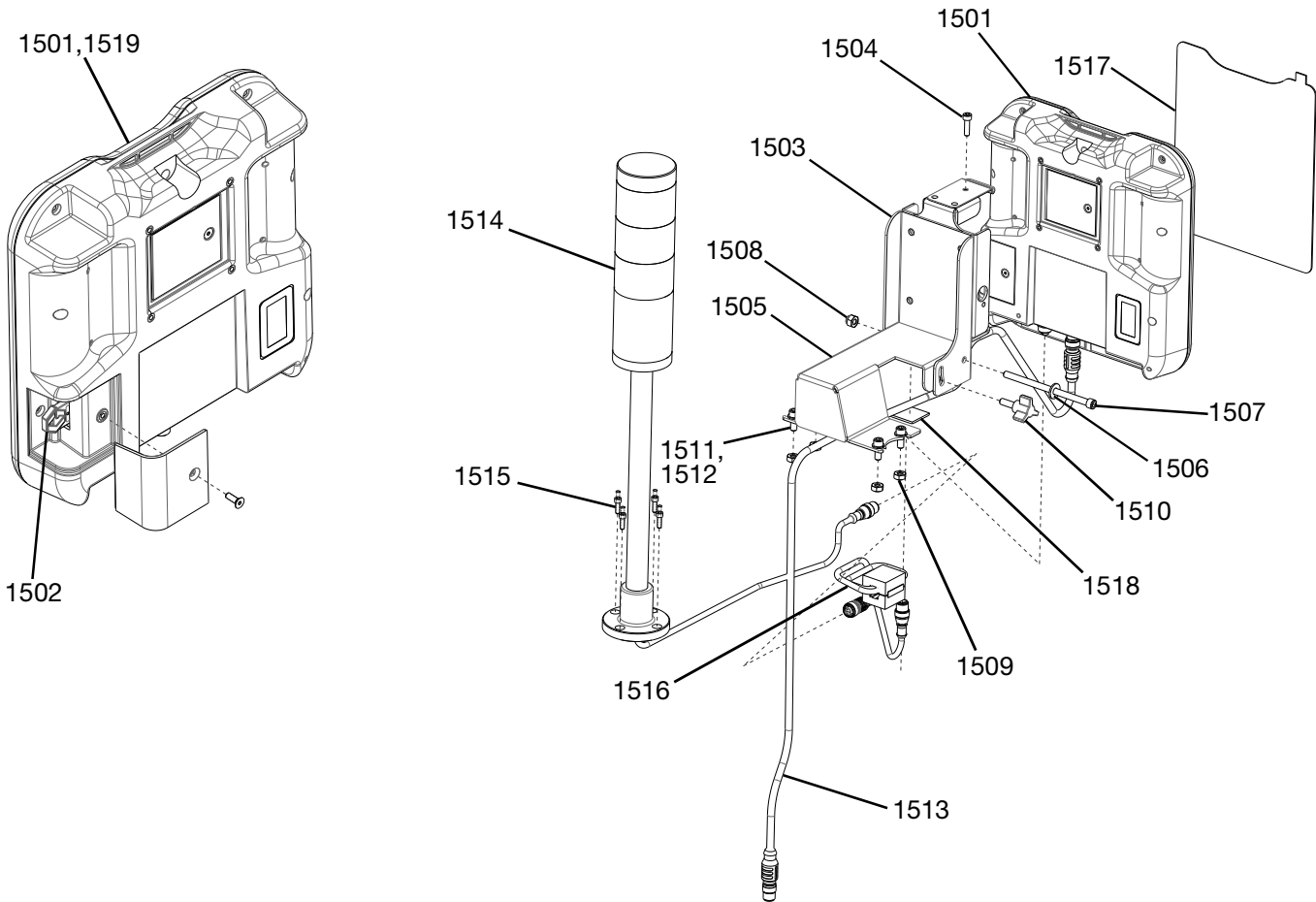
Left-Handed Unit
Shown



Safety Pins, 26B774

Ref.	Part	Description	Qty.
1401	26B769	BRACKET, cylinder support	4
1402	18D257	TUBE, support, outer	2
1403	18D258	TUBE, support, inner	2
1404	18D249	PLATE, base, lock out	2
1405	133303	STRAP, pipe, 2 in.	4
1406	16Y456	PIN, safety, hitch	2
1407	15G945	CABLE, lanyard, 24 in.	2
1408	15G946	BOLT, U, 1/2 x 8.375	4
1409	133306	SCREW, HHC	8
1410	123389	SCREW	8
1411	101971	WASHER, thrust	32
1412	---	SCREW, HHC	8
1413	100133	WASHER, lock, 3/8	24
1414	100018	WASHER, lock, spring, 1/2	8
1415	113500	ADHESIVE, anaerobic	1
1416	100307	NUT, hex	16
1417	18D253	PLATE, mounting, u-bolt, 3/8	7
1418	18D254	PLATE, mounting, u-bolt, 3/8, thk	1
1419	18D252	BRACKET, lock out, UniDrum	2
1420	113802	SCREW, hex head, flanged	4
1421	133305	PIN, clevis	2
1422	18D256	PLATE, base, lock out, UniDrum, 1K	1

ADM Light Tower Kit, 26D425

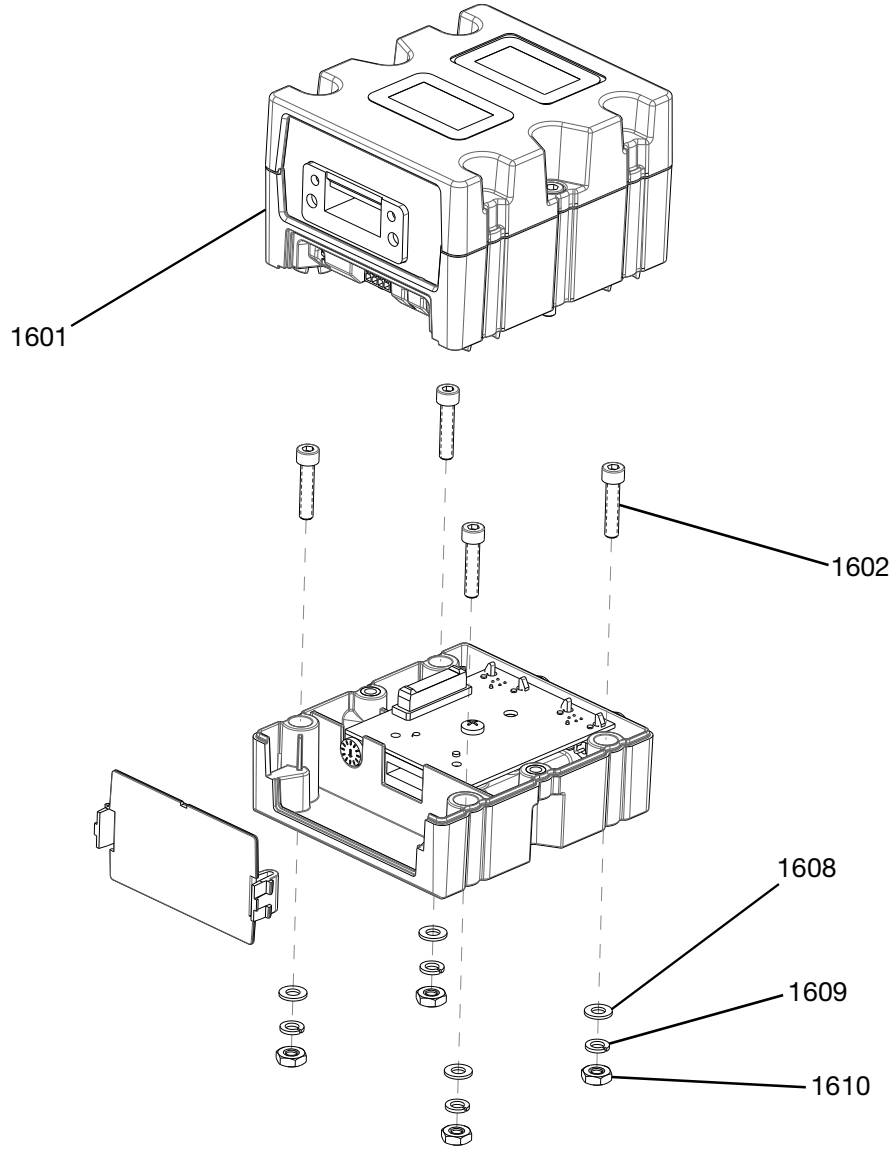


ADM Light Tower Kit, 26D425

Ref.	Part	Description	Qty.
1501	24E451	MODULE, GCA, ADM	1
1502	15M121	TOKEN, GCA, key, SFT32, black	1
1503	255639	BRACKET, mounting, assembly	1
1504	120904	SCREW, SHCS, M5 x 0.8 x 18 mm	1
1505	255633	BRACKET, pendant pivot, painted	1
1506	110755	WASHER, plain	1
1507	121250	SCREW, SHCS, 1/4 UNC x 4.25	1
1508	102040	NUT, lock, hex	1
1509	100015	NUT, hex mscr	4
1510	121253	KNOB, display adj., ram pkgs	1
1511	100016	WASHER, lock	4
1512	121112	SCREW, cap, socket head	4

Ref.	Part	Description	Qty.
1513	122487	CABLE, CAN, male-female, 1.5 m	1
1514	255468	KIT, acc., light tower, tc ram	1
1515	112310	SCREW, cap, SCH	4
1516	122030	CABLE, GCA, M12-5P	1
1517	15V551	SHIELD, membrane, ADM	0.1
1518	84/0805/89	CABLE, tie mount, 1X1SQW/adhesive	1

CGM Kit, 26D426, 26D427, 26D428, and 26D429



CGM Kit, 26D426, 26D427, 26D428, and 26D429

Ref.	Part	Description	Qty.
1601	CGMEP0	MODULE, GCA, GATEWAY, ASSM, EP	1
	CGMDN0	MODULE, GCA, GATEWAY, ASSM, DN	1
	CGMPN0	MODULE, GCA, GATEWAY, ASSM, PN	1
	CGMPB0	MODULE, GCA, GATEWAY, ASSM, PB	1
1602	105209	SCREW, cap, socket head	4

Ref.	Part	Description	Qty.
1603*	121000	CABLE, CAN, female / femaile 0.5 m	1
1604*	18D562	TOKEN, software, GCA, map, uni	1
1606*	26D432	FLASH DRIVE, programmed, UniDrum	1
1608	116876	WASHER, flat	4
1609	100020	WASHER, lock	4
1610	100166	NUT, full hex	4

* Not shown

Recommended Spare Parts

Spare Parts for Pump and Electric Motor

Refer to the appropriate manual listed in **Related Manuals** on page 2.

Spare Parts for 47:1 and 35:1 E-Flo UniDrum Supply Units

The customer should maintain an inventory of the spare parts (per unit) listed below.

CST Units	SST Units	Description	Qty.
515147	515147	AIR REGULATOR	1
V1M350	V1M350	RECIRCULATING VALVE KIT, see manual 3A1792	2
102774	102774	LUBRICATOR KIT	1
918110	918110	AIR CYLINDER KIT	1
918241	918241	WIPER KIT	1

Technical Specifications

E-Flo UniDrum Supply System		
	US	Metric
Driver thrust	4840 lbs	2195 kg
Stroke length	4.75 in.	120.65 mm
Maximum fluid operating temperature	180°F	82.3°C
Maximum driver cycle rate	25 cycles per minute	
Line voltage (depending on model)	200-240 VAC, 3Ø Delta, 50/60 Hz 380-420 VAC, 3Ø, Wye, 50/60 Hz 420-480 VAC, 3Ø Delta, 50/60 Hz	
Compressed air requirement	80 psi (max)	0.55 MPa, 5.5 bar (max)
Main air inlet size	1/2 in. npt(f)	
Fluid outlet size	1-1/4 in. npt(f)	
Ambient operating temperature range (supply system)	41-104°F	5-40°C
Displacement pump effective area	See pump manual. See Related Manuals on page 2.	
Wetted parts	See pump manual. See Related Manuals on page 2.	
Full Load Amperage		
240V systems	20A	
400V systems	35A	
480V systems	10A	
Maximum Fluid Working Pressure		
290cc Dura-Flo	2800 psi (193 bar, 19.3 MPa)	
430cc Dura-Flo	1900 psi (131 bar, 13.1 MPa)	
300 Gallon Supply System Overall Dimensions		
Width	85.7 in.	2177 mm
Depth	78.7 in.	1999 mm
Height (lowered)	141.9 in.	3605 mm
Height (raised)	51.9 in.	1319 mm
Weight (approximate)	1450 lbs	1882 kg
1000 Liter Supply System Overall Dimensions		
Width	98.4 in.	2500 mm
Depth	80.7 in.	2050 mm
Height (lowered)	167 in.	4242 mm
Height (raised)	54.9 in.	1395 mm
Weight (approximate)	1450 lbs	1882 kg
Noise (dBA)		
Normal operation (dispensing)	< 70 dBA	
Drum change	102.5 dBA	
<i>Sound pressure measured per EN ISO-11202:2010</i>		

California Proposition 65

CALIFORNIA RESIDENTS

 **WARNING:** Cancer and reproductive harm – www.P65warnings.ca.gov.

Graco Standard Warranty

Graco warrants all equipment referenced in this document which is manufactured by Graco and bearing its name to be free from defects in material and workmanship on the date of sale to the original purchaser for use. With the exception of any special, extended, or limited warranty published by Graco, Graco will, for a period of twelve months from the date of sale, repair or replace any part of the equipment determined by Graco to be defective. This warranty applies only when the equipment is installed, operated and maintained in accordance with Graco's written recommendations.

This warranty does not cover, and Graco shall not be liable for general wear and tear, or any malfunction, damage or wear caused by faulty installation, misapplication, abrasion, corrosion, inadequate or improper maintenance, negligence, accident, tampering, or substitution of non-Graco component parts. Nor shall Graco be liable for malfunction, damage or wear caused by the incompatibility of Graco equipment with structures, accessories, equipment or materials not supplied by Graco, or the improper design, manufacture, installation, operation or maintenance of structures, accessories, equipment or materials not supplied by Graco.

This warranty is conditioned upon the prepaid return of the equipment claimed to be defective to an authorized Graco distributor for verification of the claimed defect. If the claimed defect is verified, Graco will repair or replace free of charge any defective parts. The equipment will be returned to the original purchaser transportation prepaid. If inspection of the equipment does not disclose any defect in material or workmanship, repairs will be made at a reasonable charge, which charges may include the costs of parts, labor, and transportation.

THIS WARRANTY IS EXCLUSIVE, AND IS IN LIEU OF ANY OTHER WARRANTIES, EXPRESS OR IMPLIED, INCLUDING BUT NOT LIMITED TO WARRANTY OF MERCHANTABILITY OR WARRANTY OF FITNESS FOR A PARTICULAR PURPOSE.

Graco's sole obligation and buyer's sole remedy for any breach of warranty shall be as set forth above. The buyer agrees that no other remedy (including, but not limited to, incidental or consequential damages for lost profits, lost sales, injury to person or property, or any other incidental or consequential loss) shall be available. Any action for breach of warranty must be brought within two (2) years of the date of sale.

GRACO MAKES NO WARRANTY, AND DISCLAIMS ALL IMPLIED WARRANTIES OF MERCHANTABILITY AND FITNESS FOR A PARTICULAR PURPOSE, IN CONNECTION WITH ACCESSORIES, EQUIPMENT, MATERIALS OR COMPONENTS SOLD BUT NOT MANUFACTURED BY GRACO. These items sold, but not manufactured by Graco (such as electric motors, switches, hose, etc.), are subject to the warranty, if any, of their manufacturer. Graco will provide purchaser with reasonable assistance in making any claim for breach of these warranties.

In no event will Graco be liable for indirect, incidental, special or consequential damages resulting from Graco supplying equipment hereunder, or the furnishing, performance, or use of any products or other goods sold hereto, whether due to a breach of contract, breach of warranty, the negligence of Graco, or otherwise.

FOR GRACO CANADA CUSTOMERS

The Parties acknowledge that they have required that the present document, as well as all documents, notices and legal proceedings entered into, given or instituted pursuant hereto or relating directly or indirectly hereto, be drawn up in English. Les parties reconnaissent avoir convenu que la rédaction du présente document sera en Anglais, ainsi que tous documents, avis et procédures judiciaires exécutés, donnés ou intentés, à la suite de ou en rapport, directement ou indirectement, avec les procédures concernées.

Graco Information

Sealant and Adhesive Dispensing Equipment

For the latest information about Graco products, visit www.graco.com.

For patent information, see www.graco.com/patents.

TO PLACE AN ORDER, contact your Graco distributor, go to www.graco.com, or call to identify the nearest distributor.

If calling from the USA: 1-800-746-1334

If calling from outside the USA: 0-1-330-966-3000

All written and visual data contained in this document reflects the latest product information available at the time of publication. Graco reserves the right to make changes at any time without notice.

Original instructions. This manual contains English. MM 3A8736

Graco Headquarters: Minneapolis

International Offices: Belgium, China, Japan, Korea

GRACO INC. AND SUBSIDIARIES • P.O. BOX 1441 • MINNEAPOLIS MN 55440-1441 • USA
Copyright 2022, Graco Inc. All Graco manufacturing locations are registered to ISO 9001.

www.graco.com
Revision B, December 2022