

SD Series™ Cord and Light Reel

3A2592N
EN

For storing electric cord used to provide electricity and/or light. For indoor and dry location use only.

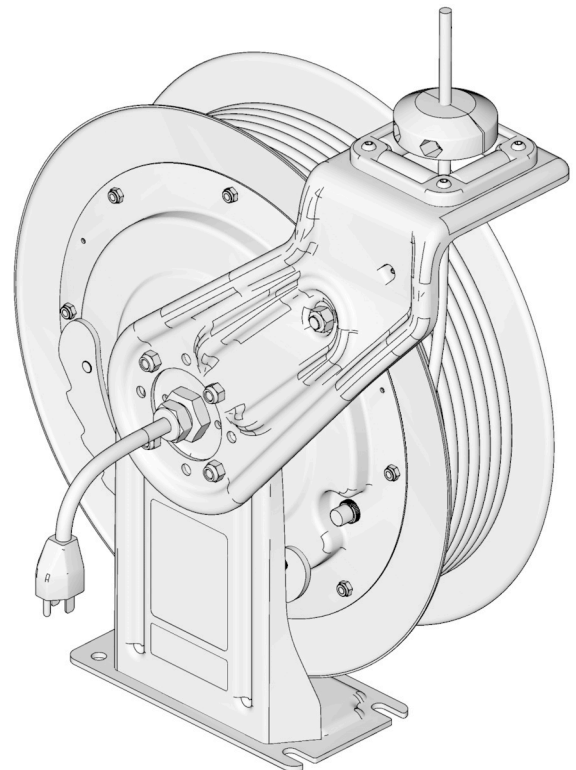
Not approved for use in explosive atmospheres or hazardous locations.

Models: page 3 and 4



Important Safety Instructions
Read all warnings and instructions in
this manual. Save these instructions.

Size 10 Model



Size 5 Model

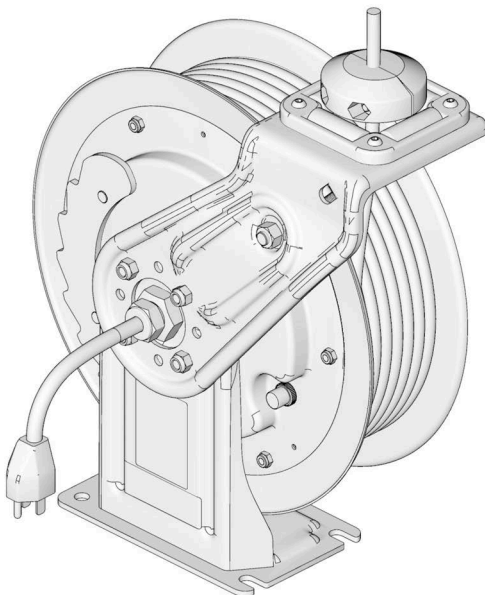


Table of Contents

120 Volt Models	3
230 Volt Models	4
Warnings	5
Component Identification	7
Installation	8
General Installation Information	8
All Models	8
Mounting	9
Wall/Ceiling Mounting with Plate	9
Size 10 Ceiling Mounting Without an I-Beam - Open Channel	11
Ceiling Mounting Directly to an I-Beam	11
Ceiling Mounting to I-Beam without Drilling Holes	12
Swivel Bracket Mounting Kit	13
Adjusting Spring Tension	13
Increasing Spring Tension	13
Decreasing Spring Tension	13
Enclosed Channel Kits	14
GFCI Models - 24Y864, 24Y883: Installation In Enclosures	15
Disassembly	15
Reassembly	15
Light Models Installation In Enclosures	16
Disassembly	16
Mounting Channel Dimensions	17
1 Reel Base - Used with Size 5 Kit 24N674 and Size 10 Kits 24A934 / 203521	17
2 Reel Base - Used with Size 5 Kit 24N675 and Size 10 Kits 24A935 / 203522	17
3 Reel Base Weldment	18
4-Reel Base Weldment	18
5 Reel Base Weldment	19
6-Reel Base Weldment	19
Side Dimension (All Models)	20
Troubleshooting	21
SD Series™ Cord and Light Reel Kits	23
Technical Data	25
Dimensions - Size 5 and Size 10 Models	26
Mounting Templates	27
Graco 2-Year Extended Warranty	30

Related Manuals

3A2826 - SD Series™ Cord and Light Reel Repair

120 Volt Models




Model	Description			Size		Cord Length	Insulation	Power Cord Connect	Accessory
		Wire Gauge (AWG)	Current (Amperes)	Size 5	Size 10				
24Y858	Cord, No Accessory	16	13			50 feet 15 meters	SJTOW	NEMA 5-15P	-
24Y879		16	10			95 feet 29 meters	SJTOW	NEMA 5-15P	-
24Y859		12	20			50 feet 15 meters	SJOOW	NEMA 5-20P	-
24Y880		12	18			95 feet 29 meters	SJOOW	NEMA 5-20P	-
24Y860	Single Industrial Receptacle	16	13			35 feet 10 meters	SJTOW	NEMA 5-15P	NEMA 5-15R
24Y861		16	13			50 feet 15 meters	SJTOW	NEMA 5-15P	NEMA 5-15R
24Y862		12	20			35 feet 10 meters	SJOOW	NEMA 5-20P	NEMA 5-20R
24Y863		12	20			50 feet 15 meters	SJOOW	NEMA 5-20P	NEMA 5-20R
24Y881		12	18			75 feet 22.5 meters	SJOOW	NEMA 5-20P	NEMA 5-20R
24Y882		12	18			95 feet 29 meters	SJOOW	NEMA 5-20P	NEMA 5-20R
24Y864	Tri-Plug GFCI Industrial Receptacle	12	15			50 feet 15 meters	SJOOW	NEMA 5-15P	Tri-Plug NEMA 5-15R
24Y883		12	15			95 feet 29 meters	SJOOW	NEMA 5-15P	Tri-Plug NEMA 5-15R
24Y865	Fluorescent Light	16	0.3			35 feet 10 meters	SJTOW	NEMA 5-15P	16N223
24Y866		16	0.3			50 feet 15 meters	SJTOW	NEMA 5-15P	16N223
24Y884		16	0.3			95 feet 29 meters	SJTOW	NEMA 5-15P	16N223
24Y867	Fluorescent Light with Tool Tap	16	10			35 feet 10 meters	SJTOW	NEMA 5-15P	16N224
24Y868		16	10			50 feet 15 meters	SJTOW	NEMA 5-15P	16N224
24Y885		16	10			95 feet 29 meters	SJTOW	NEMA 5-15P	16N224
24Y869	LED Light	16	0.05			35 feet 10 meters	SJTOW	NEMA 5-15P	127088
24Y870		16	0.05			50 feet 15 meters	SJTOW	NEMA 5-15P	127088
24Y886		16	0.05			95 feet 29 meters	SJTOW	NEMA 5-15P	127088
24Y871	LED Light with Tool Tap	16	12			35 feet 10 meters	SJTOW	NEMA 5-15P	127088 - light 16N226 - tool tap
24Y872		16	12			50 feet 15 meters	SJTOW	NEMA 5-15P	127088 - light 16N226 - tool tap
24Y887		16	10			95 feet 29 meters	SJTOW	NEMA 5-15P	127088 - light 16N226 - tool tap

230 Volt Models






Model	Description			Size		Cord Length	Insulation	Power Cord Connect	Accessory
Black		Wire Gauge	Current (Amperes)	Size 5	Size 10				
24Y873	Cord, No Accessory	1,5 mm ²	10			10 meters	H05RR-F	-	-
24Y874		1,5 mm ²	10			15 meters	H05RR-F	-	-
24Y888		2,5 mm ²	16			25 meters	H07RN-F	-	-
24Y877	LED Light	1,5 mm ²	0.05			10 meters	H05RR-F	CEE 7/7 16 A	16N225
24Y878		1,5 mm ²	0.05			15 meters	H05RR-F	CEE 7/7 16 A	16N225
24Y890		1,5 mm ²	0.05			25 meters	H05RR-F	CEE 7/7 16 A	16N225
24Y875	Single Industrial Receptacle	1,5 mm ²	10			10 meters	H05RR-F	CEE 7/7 16 A	CEE 7/7 16 A
24Y876		1,5 mm ²	10			15 meters	H05RR-F	CEE 7/7 16 A	CEE 7/7 16 A
24Y889		2,5 mm ²	16			25 meters	H07RN-F	CEE 7/7 16 A	CEE 7/7 16 A

Warnings

The following warnings are for the setup, use, grounding, maintenance, and repair of this equipment. The exclamation point symbol alerts you to a general warning and the hazard symbols refer to procedure-specific risks. When these symbols appear in the body of this manual or on warning labels, refer back to these Warnings. Product-specific hazard symbols and warnings not covered in this section may appear throughout the body of this manual where applicable.



DANGER

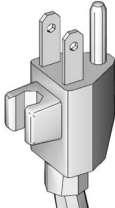






ELECTRIC SHOCK HAZARD


This equipment must be grounded. Improper grounding setup, or misuse of the cord reel can cause fire or death by electric shock. In the event of an electrical short circuit, grounding reduces the risk of electric shock by providing an escape wire for the electric current. This product is equipped with a cord having a grounding wire with an appropriate grounding plug. The plug must be plugged into an outlet that is properly installed and grounded in accordance with all local codes and ordinances.

- This product is for use on a nominal 120V or 230V circuit and has a grounding plug similar to the plugs illustrated in the figure below.
- Connect only to grounded electric outlet. Fully insert plug into outlet. Do not connect a three-prong plug to a two-hole outlet.
- Fully insert appliance plug into end of accessory cord. Do not connect a three-prong appliance plug to a two hole cord reel.
- Do not remove, bend or modify any metal prongs or pins of cord reel or appliances plugged into cord reel.



120V US




230V



- Do not modify the plug provided; if it does not fit the outlet, have the proper outlet installed by a qualified electrician.
- Make sure appliances are off before connecting cord reel to outlet.
- Do not use excessive force to make connections.
- Cord reel is marked for indoor use and is to be used indoors only. Always store cord reel indoors.
- Keep cord reel and accessories away from water. Do not use when wet.
- Grasp plug to remove from outlet. Do not unplug by pulling on power cord.
- Look for the number of watts or amperes on appliances to be plugged into cord reel. See label on cord reel for specific wattage or amperage. Do not plug more than the specified number of watts or amperage into this cord reel.
- All electrical wiring must be done by a qualified electrician and comply with all local codes and regulations.

	<p>FIRE AND EXPLOSION HAZARD</p> <p>When flammable fluids are present in the work area, such as gasoline and windshield wiper fluid, be aware that flammable fumes can ignite or explode. To help prevent fire and explosion:</p> <ul style="list-style-type: none"> • When installing a cord reel above a hazardous location the reel must be mounted at such a height that the lamp guard cannot reach within 18 inches of the floor. • Do not plug one cord reel into another. • Avoid overheating, do not cover cord reel or accessories with any material. • Always unplug cord reel when not in use. • Use equipment only in well ventilated area. • Eliminate all ignition sources, such as cigarettes and portable electric lamps. • Keep work area free of debris, including rags and spilled or open containers of solvent and gasoline. • Do not plug or unplug power cords or turn lights on or off when flammable fumes are present. • Stop operation immediately if static sparking occurs or you feel a shock. Do not use equipment until you identify and correct the problem. • Keep a working fire extinguisher in the work area.
	<p>EQUIPMENT MISUSE HAZARD</p> <p>Misuse can cause death or serious injury.</p> <ul style="list-style-type: none"> • Inspect thoroughly before each use. Do not use if damaged. Replace worn or damaged parts immediately with genuine manufacturer's replacement parts only. • Do not alter or modify equipment. Alterations or modifications may void agency approvals and create safety hazards. • Make sure cord reel is rated and approved for the environment in which you are using it. • Use equipment only for its intended purpose. Call your distributor for information. • Route power cords and accessory cords away from traffic areas, sharp edges, moving parts, and hot surfaces. Do not run cord through ceilings, walls or floors. • Do not drive, drag or place objects over cord reel cord. • Do not walk on cord. • Do not use cord to pull equipment. • Keep children and animals away from work area. • Comply with all applicable safety regulations.

 **WARNING**

	<p>MOVING PARTS HAZARD</p> <p>Moving parts can pinch, cut or amputate fingers and other body parts.</p> <ul style="list-style-type: none"> • Keep clear of moving parts. • Do not operate equipment with protective guards or covers removed.
---	--

Component Identification

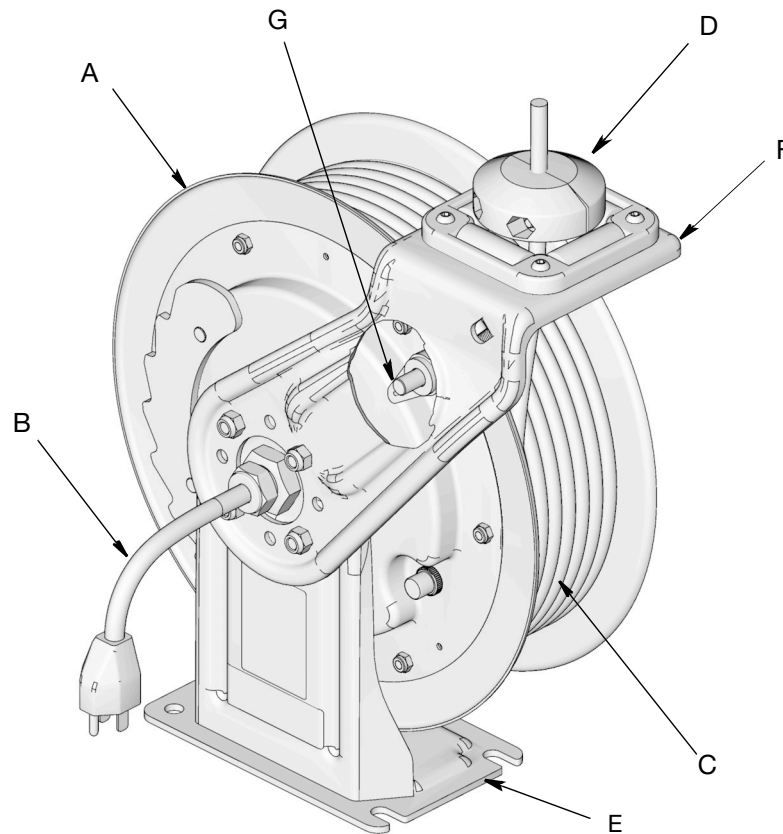





FIG. 1

Key:

- A Spool
- B Power Cord
- C Accessory Cord
- D cord stop
- E Base Plate
- F Support Arm
- G Pawl (cutaway view - part is located behind support arm)

Installation

General Installation Information

						
---	---	---	--	--	--	--

To reduce the risk of injury from electric shock and fire and explosion:

- Before installing, adding accessories or performing any maintenance on the cord reel, verify and/or disconnect cord reel from power source.
- When installing a cord reel above a hazardous location the reel must be mounted at such a height that the lamp guard cannot reach within 18 inches of the floor.

NOTE: Cord reels perform best when arm allows the accessory cord to pull straight off the spool as shown in FIG. 2.

Overhead Installations

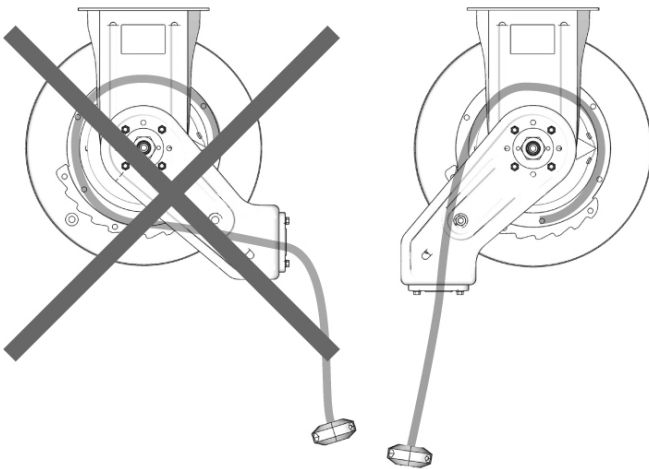


FIG. 2

NOTE: Always use 4 large flat washers with 4 bolts to mount the reel base to any surface.

All Models

Select the reel bank mounting location.

- For high ceilings, suspend a suitable support structure for the reels, so the accessory cords will be long enough to reach your service area.

1. Select a location to mount the cord reel.
2. If cord reel has been previously installed, disconnect cord reel from power source by unplugging power cord from outlet.
3. Determine the desired position of the roller support arm (a) (FIG. 3).
 - The cord reel is factory-assembled and shipped with the roller support arm (a) in position AA* (FIG. 3). If that position is desired, skip step 4.
4. To reposition roller support arm to any other position than the Ship Position (AA):
 - a. Secure spool against reel base with C-Clamp.
 - b. Remove 4 nuts (b) and rotate arm to desired position, BB, CC, DD, EE, or FF.
 - c. Check pawl to make sure it is not wedged.
 - d. Replace 4 nuts (b) and tighten securely.

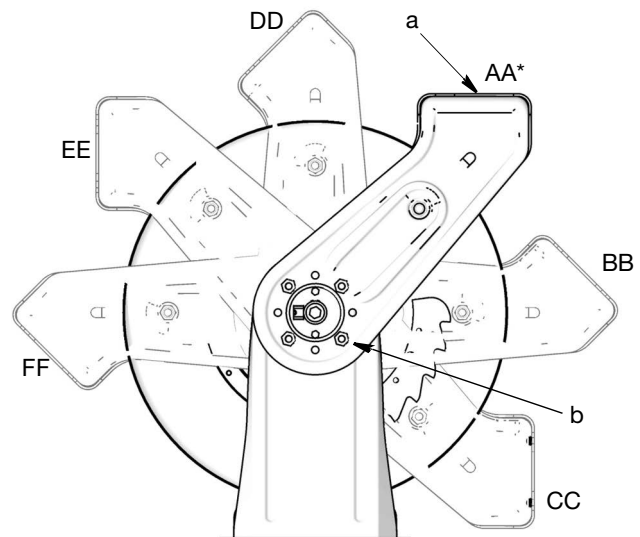





FIG. 3

Mounting

						
---	---	---	--	--	--	--

The electric cord reel is heavy and may be difficult to mount without assistance. (See Technical Data, page 25 for weights of cord reel assemblies.) To reduce the risk for injury:

- Be sure the mounting surface and bolts are strong enough to support the cord reel's weight and stress caused by hard pulls on the accessory cord.
- When you are mounting a cord reel overhead, always use a lift truck and **be sure it is secure before lowering the lift truck.**

Wall/Ceiling Mounting with Plate

NOTE: For wall and ceiling installations, the user must provide four mounting bolts and four washers (A) (FIG. 5) that are strong enough to support the weight of the cord reel, cord and accessories. See Technical Data, page 25 for the cord reels weights without accessories.

Plate Mounting Kits		Size 10	Size 5
FN	Description	24H193	24N686
101	SCREW, 3/8" x 16 x 5/8"	1*	1*
102	WASHER, lock,3/8"	1*	1*
104	PLATE, hold down	1	1
105	BASE, plate	1	1

*Discard the extra 4 screws (101) and washers (102) provided in the Plate Mounting Kit. This hardware is not strong enough to support the cord reel, cord and accessories and should only be used for open channel mounting applications.

1. Ceiling Mount Only: Position cord reel so the reel base is facing up.
2. Check pawl to make sure it is not wedged (FIG. 4). (Also see General Installation Information page 8.)

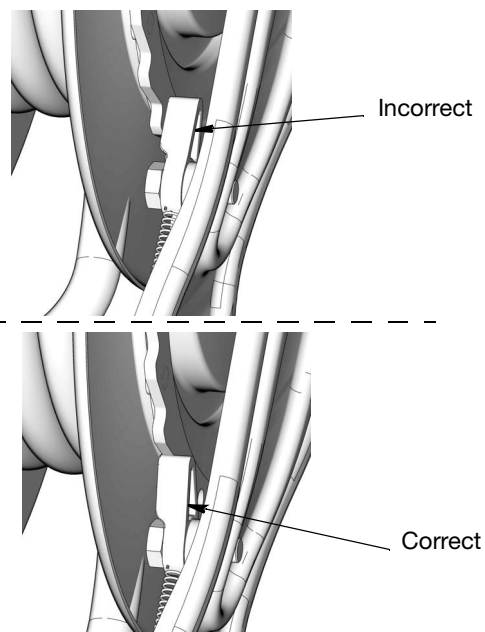


FIG. 4

3. Use the reel base (FIG. 5 - 105) to lay out the position of the mounting holes before you drill

NOTE: For easier installation, mount the base plate (105) to the wall first (FIG. 5).

4. Drill mounting holes. Mount base plate (105) to wall using 4, user supplied mounting bolts (A) that are strong enough to support the weight of the cord reel, cord and accessories. Tighten bolts securely.
5. Slide cord reel onto the base plate (105) and install the hold-down plate (104), washer (102) and screw (101). Tighten the screw firmly (FIG. 5).

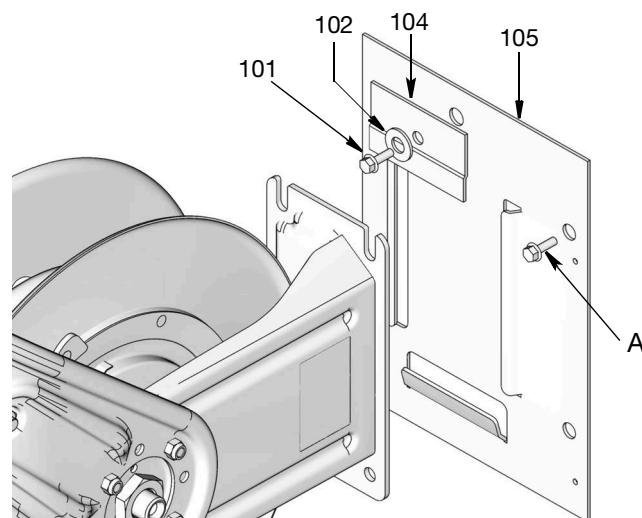


FIG. 5

Installation

6. If needed, adjust spring tension. See the Increasing Spring Tension or Decreasing Spring Tension section of this manual, page 13.
7. Position cord stop at a height that is easily accessible to the user. Tighten nuts to securely hold stop in place.
8. Plug power cord into grounded electrical outlet.

Size 10 Ceiling Mounting Without an I-Beam - Open Channel

For Size 10 Models order kit: 24A934, 24A935, 24A936, 24A937, 24A938, 24A939

For Size 5 Models order kit: 24N674, 24N675

For Size 5 Models mounted in an Size 10 Model Mounting Channel: Size 5 models require a specific hold down plate designed for Size 5 Cord Reels. Contact Graco Customer Service for assistance when ordering these parts.

NOTE: See page 15 for Open Channel dimensions.

Open Channel Mounting Kits									
FN	Description	Size 5 Models		Size 10 Models					
		24N674 1 Reels	24N675 2Reels	24A934 1 Reel	24A935 2 Reels	24A936 3 Reels	24A937 4 Reels	24A938 5 Reels	24A939 6 Reels
101	SCREW, 3/8" - 16 x 5/8"	5	10	5	10	15	20	25	30
102	WASHER, lock, 3/8"	5	10	5	10	15	20	25	30
103	BASE, reel, channel	1	1	1	1	1	1	1	1
104	PLATE, hold down	1	2	1	2	3	4	5	6
105	BASE, plate	1	2	1	2	3	4	5	6

1. **Ceiling Mount Only:** Position cord reel so the reel base is facing up. Check pawl to make sure it is not wedged (FIG. 4, 9). (Also see General Installation Information page 8.)
2. Use the base channel (FIG. 6 - 103) to lay out the position of the mounting holes before you drill.
3. Drill mounting holes.
4. Install the base channel (103) and base plate (105) as shown in FIG. 6.

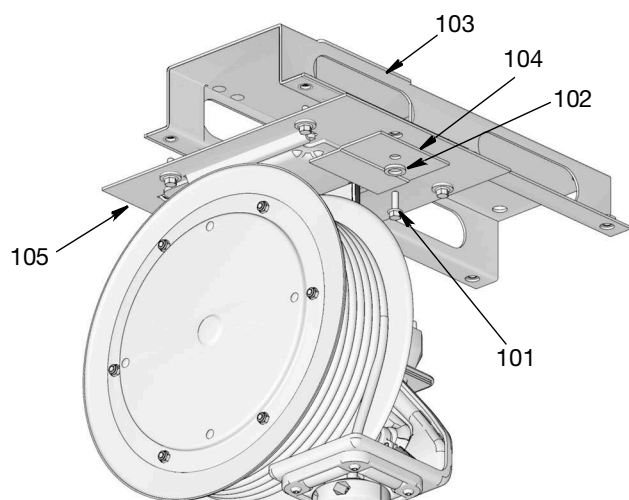


FIG. 6

5. Slide cord reel into the reel base (105) and install the hold down plate (104), washer (102) and screw (101). Tighten the screw firmly (FIG. 6). **Be sure it is secure before lowering the lift truck.**

6. Continue installation following steps 6 - 8 of Wall/Ceiling Mounting with Plate instructions, page 9.

Ceiling Mounting Directly to an I-Beam

1. Check pawl to make sure it is not wedged (FIG. 4, 9). (Also see General Installation Information page 8.)
2. Use the mounting template (FIG. 7 - B) to lay out the position of the mounting holes before you drill

NOTE: Templates to scale are provided starting on page 27.

3. Drill mounting holes in the I-Beam (C) (FIG. 7).
4. Bolt reel to I-Beam. **Be sure it is secure before lowering the lift truck.**

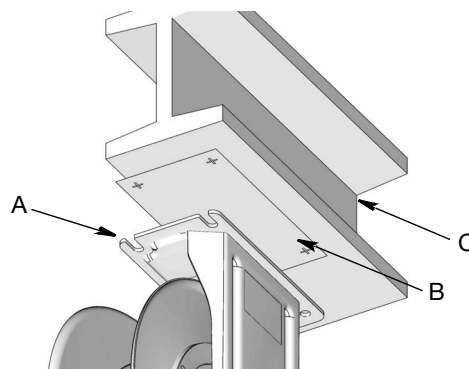


FIG. 7

5. Continue installation following steps 6 - 8 of Wall/Ceiling Mounting with Plate instructions, page 9.

Ceiling Mounting to I-Beam without Drilling Holes

(Order Mounting Bracket Kit: 204741 for open or enclosed reels.)

NOTE: For mounting 1-3 reels, two kits are required. For mounting 4-6 reels, three kits are required.

Mounting Bracket Kit 204741 (Size 5 and Size 10)

Ref	Description	Qty
201	WASHER, lock, 1/2"	2
202	SCREW, 1/2" - 13 x 1"	2
203	SCREW, 1/2" - 13 x 1-3/4"	2
204	NUT 1/2" - 13	2
205	NUT, spring clamp (not shown)	2
206	CLAMP, beam	2
207	CHANNEL, unistrut	1

1. Secure mounting brackets (D) to the channel.
2. Position the adjustable clamps (206) of the mounting brackets over the I-Beam (A), and tighten them securely (FIG. 8).
3. (FIG. 6, page 11): Slide cord reel into the reel base (105) and install the hold down plate (104), washer (102) and screw (101). Tighten the screw firmly.

NOTE: For enclosed reels, use the Enclosure Kit Base Plate (Part No. 302, page 14).

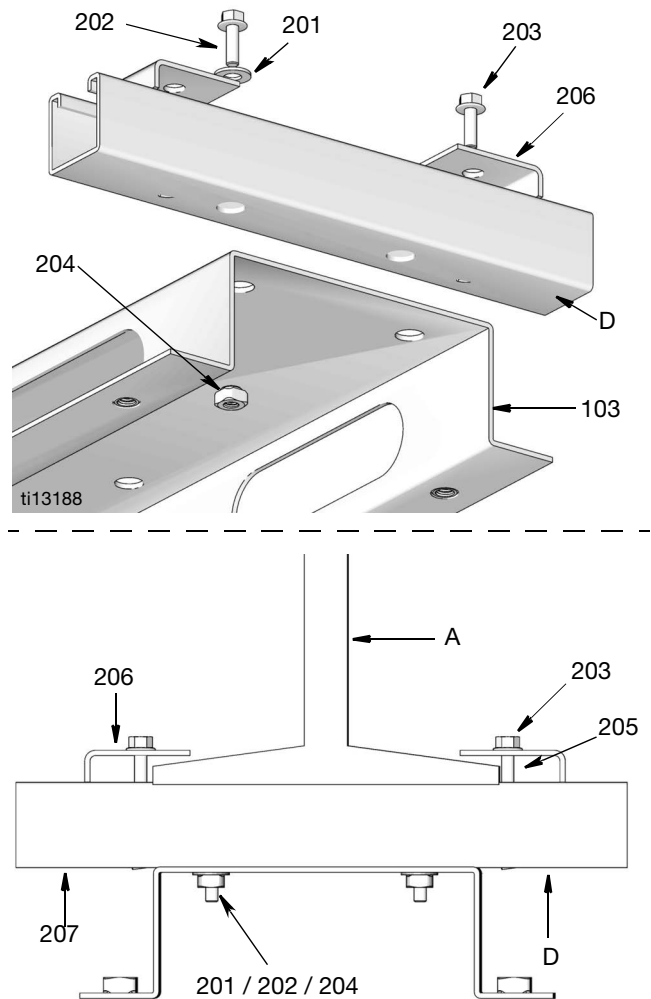


FIG. 8

4. For enclosed channel installations, continue with instructions on page 14. For all other installations, continue instructions following steps 6 - 8 of Wall/Ceiling Mounting with Plate instructions, page 9.

Swivel Bracket Mounting Kit

- 24N444 for Size 10 Models
- 24N814 for Size 5 Models

Installation instructions are included with the kit.

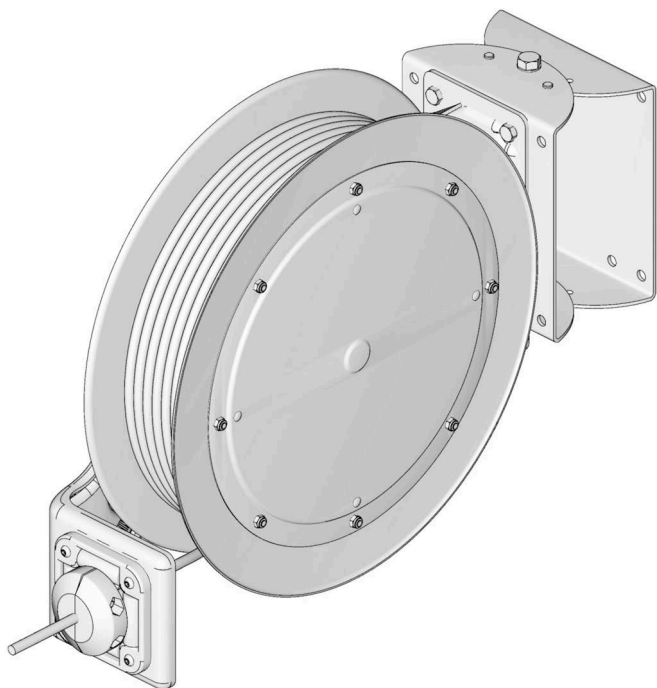


FIG. 9

Adjusting Spring Tension

!						
<ul style="list-style-type: none"> • Never allow reel to spin freely. Doing so could cause serious injury if you are hit by the plug, accessories, or other moving parts. • Reel must be bolted securely in place when making adjustments. 						

!	⚡	🔧				
---	---	---	--	--	--	--

Increasing Spring Tension

1. Disconnect cord reel from power source by unplugging power cord from outlet.
2. Pull out accessory cord, 1 to 2 turns and engage pawl.
3. Pull accessory cord back through cord rollers.
4. Wrap a loop of accessory cord onto the spool.
5. Check the spring tension; the accessory cord must pull out fully and retract fully. Wrap more loops, one at a time around the spool until the spring has the desired tension.

NOTE: Do not put so many loops onto the reel that the spring winds up tightly before the accessory cord is fully extended.

Decreasing Spring Tension

1. Disconnect cord reel from power source by unplugging power cord from outlet.
2. Pull out accessory cord, 1 to 2 turns and engage pawl.
3. Pull accessory cord back through cord rollers.
4. Remove loops of accessory cord to decrease tension.
5. Check the spring tension. Unwrap more loops, one at a time from the spool until the spring has the desired tension.

Enclosed Channel Kits

NOTE:

- For **each Size 5 and Size 10 Reel**: order 1 Enclosed Mounting Channel kit and 1 Side Panel kit.
- For **each reel bank**: order 1 End Panel kit.
- Before installing the Enclosure, adjust the spring tension. See Adjusting Spring Tension, page 13.
- Size 5 Kits include a mounting bracket (311) to allow the cord reel to be installed to the outlet of the enclosure. If using an existing SD Series™ enclosure with the Size 5 Cord Reel, Kit 24P164 is required.

Size 5/Size 10 End Panel Kit

- 24A950

Size 5 and Size 10 Side Panel Kits:

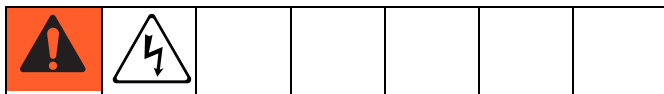
- Size 5 Metallic Blue - 24N682
- Size 5 Red - 24N683
- Size 5 Black - 24N684
- Size 5 Yellow - 24N685
- Size 5 White - 24N690
- Size 5 Dark Blue - 24N691
- Size 10 Metallic Blue - 24A940
- Size 10 Red - 24A941
- Size 10 Black - 24A942
- Size 10 Yellow - 24A944
- Size 10 White - 24A217
- Size 10 Dark Blue - 24A943

Enclosed Channel Mounting Kits are available from Graco. Installation instructions are included with the kit. Contact Graco Customer Service for additional information about ordering these kits.

Size 5/Size 10 Enclosed Mounting Channel Kit:

- 1 Reel - 203521
- 2 Reels - 203522
- 3 Reels - 203523
- 4 Reels - 203524
- 5 Reels - 203525
- 6 Reels - 203526

GFCI Models - 24Y864, 24Y883: Installation In Enclosures



Disassembly

Reference letters used in the following instructions refer to FIG. 10.

1. Disconnect cord reel from power source by unplugging main supply plug from outlet.
2. Loosen two Phillips #2 screws (A) on GFCI cover (B). Remove cover (FIG. 10).

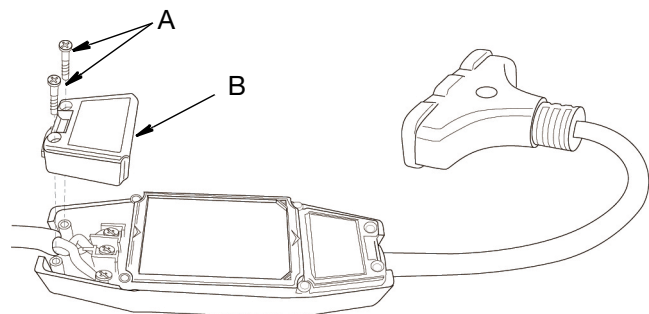


FIG. 10

3. Unscrew three Phillips #2 screws (C) and disconnect black, white, and green wires from GFCI terminals (FIG. 11).

NOTE: Instructions for installing cord reel in enclosure are included in the **Hose or Cord and Light Reel Enclosure** instruction manual.

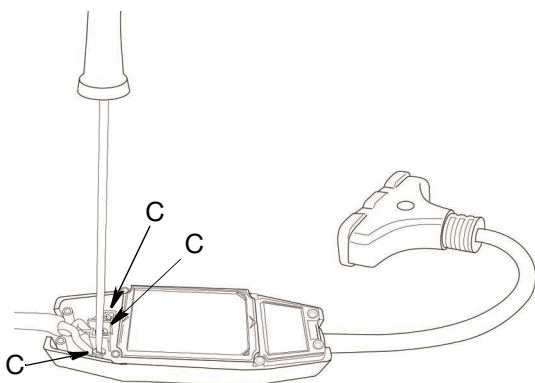


FIG. 11

Reassembly

1. Route cord through enclosure panel and through opening in roller guide.
2. Connect green wire from cord to green terminal from GFCI module. Connect black wire from cord to brass terminal. Connect white wire from cord to silver terminal. Re-tighten three Phillips #2 screws (C) (FIG. 11).
3. Reassemble GFCI cover (B) with two Phillips #2 screws (A) (FIG. 10).
4. Reconnect power source.
5. Press TEST button to test the GFCI.

Light Models Installation In Enclosures

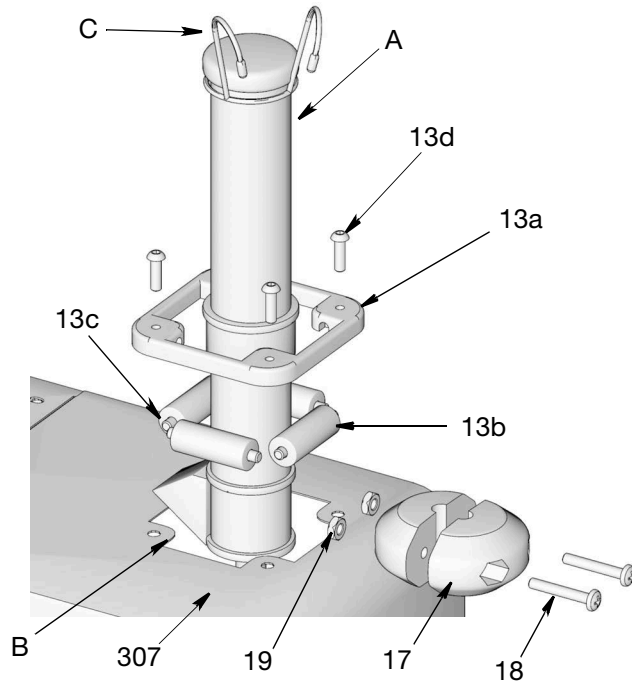


FIG. 12

Disassembly

Reference letters used in the following instructions refer to FIG. 12.

Prior to installing the light (A) in enclosure:

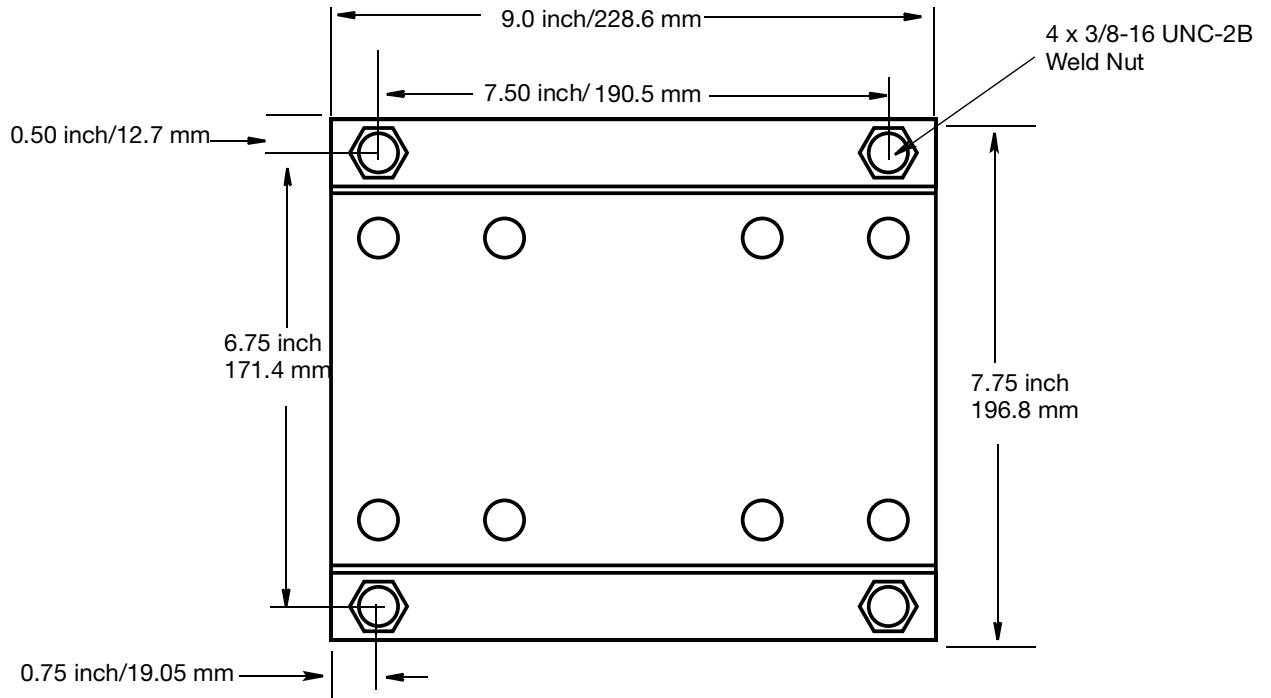
- a. Verify cord reel is disconnected from power source.
- b. If not already removed, remove cord stop (17), roller bracket (13a), rollers and pins assembly (13a and 13c) from side enclosure (307). See Repair Manual for this procedure.
- c. The hanger bracket assembly (C) on the top of the light (A) prevents the light from fitting through the enclosure opening (B) when the roller bracket (13a) and rollers (13b) are installed in the opening. To route the light through the enclosure, these parts must be removed prior to installation.

1. Insert light assembly (A) through roller bracket opening (B) located in the top of side panel (307).
2. Remove the roller and pin assembly (13b and 13c) from the roller bracket (13a). Slide the bracket over the top of the light and hanger assembly.
3. Snap roller and pin assembly (13 b and 13c) back into place in the roller bracket (13a).
4. Use 4 screws (13d) to secure roller bracket assembly (13) to enclosure (307).
5. Position the two cord stop (17) halves around cord. Insert screws (18) through cord stop and hand tighten nuts (19) to hold cord stop in place. If cord has a warning tag, cord stop should be installed on the same end as the warning tag.
6. Pull the cord hard enough to release the latch and slowly allow the cord to retract.

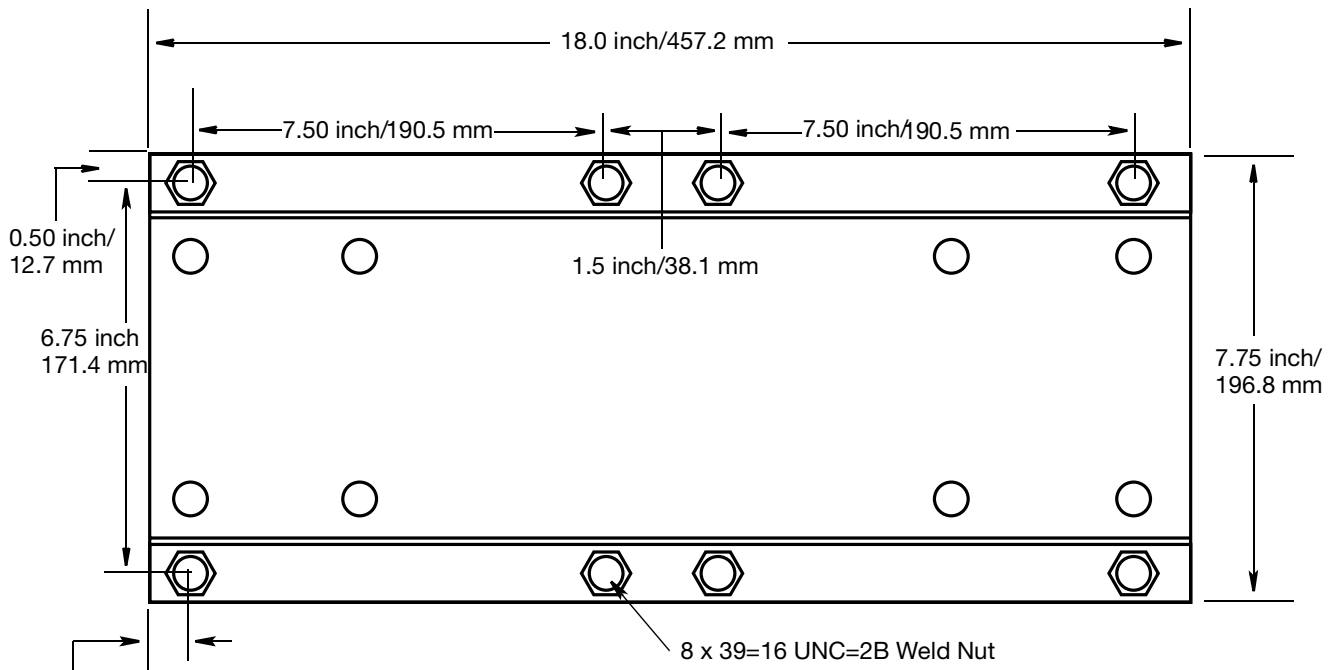
Mounting Channel Dimensions

(Side dimension for all kits)

1 Reel Base - Used with Size 5 Kit 24N674 and Size 10 Kits 24A934 / 203521

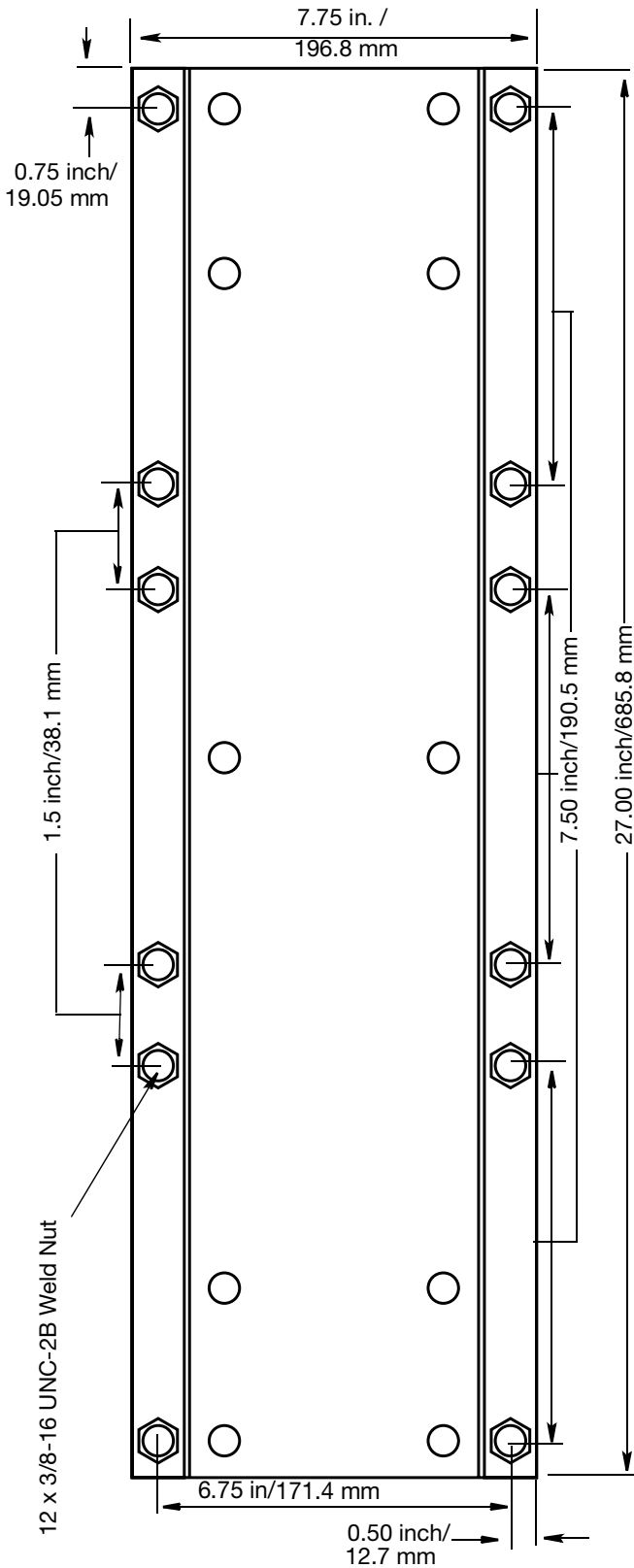


2 Reel Base - Used with Size 5 Kit 24N675 and Size 10 Kits 24A935 / 203522



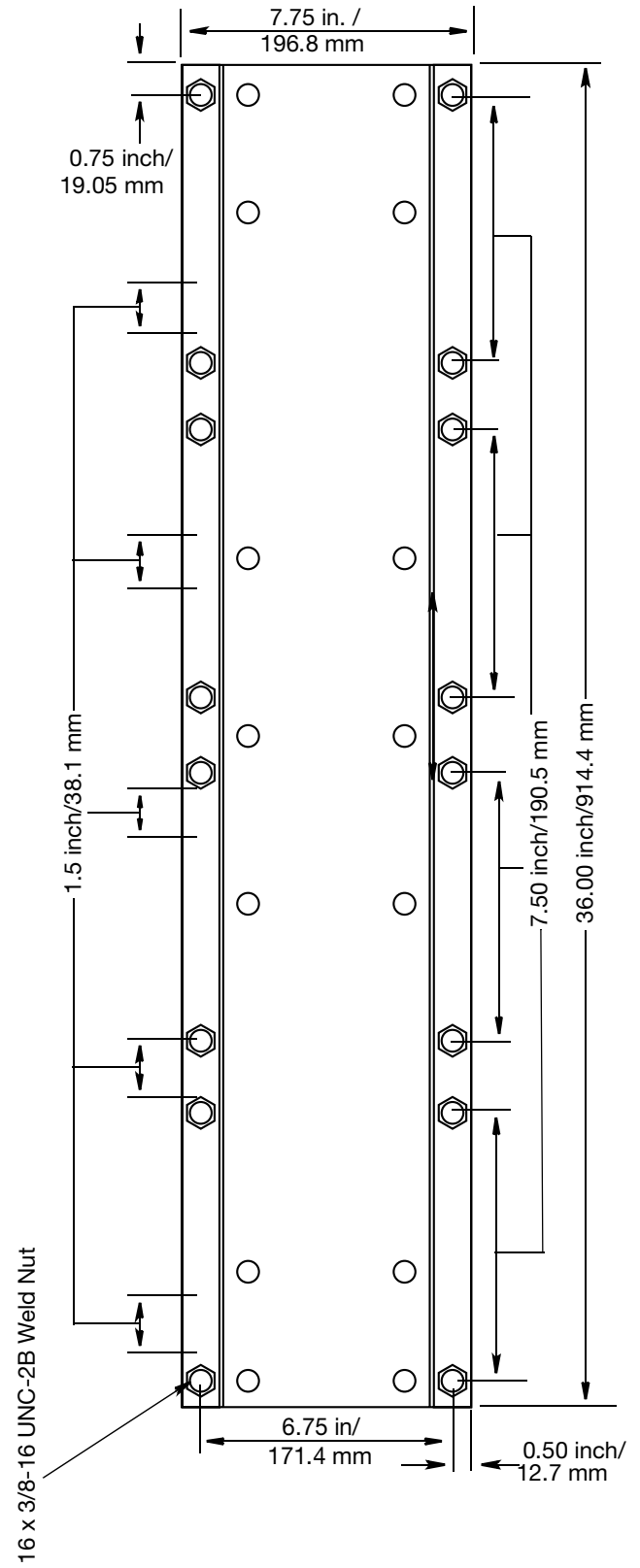
3 Reel Base Weldment

Used with Kits 24A936, 203523



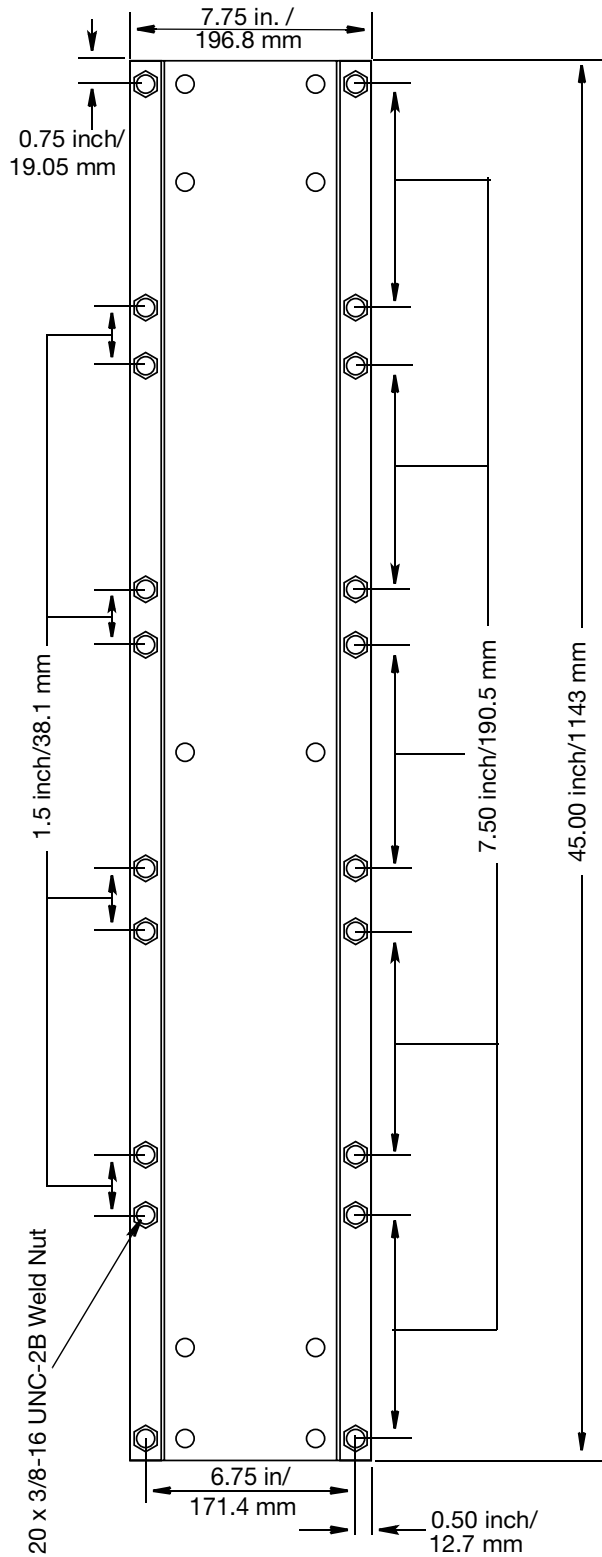
4-Reel Base Weldment

Used with Kits 24A937, 203524



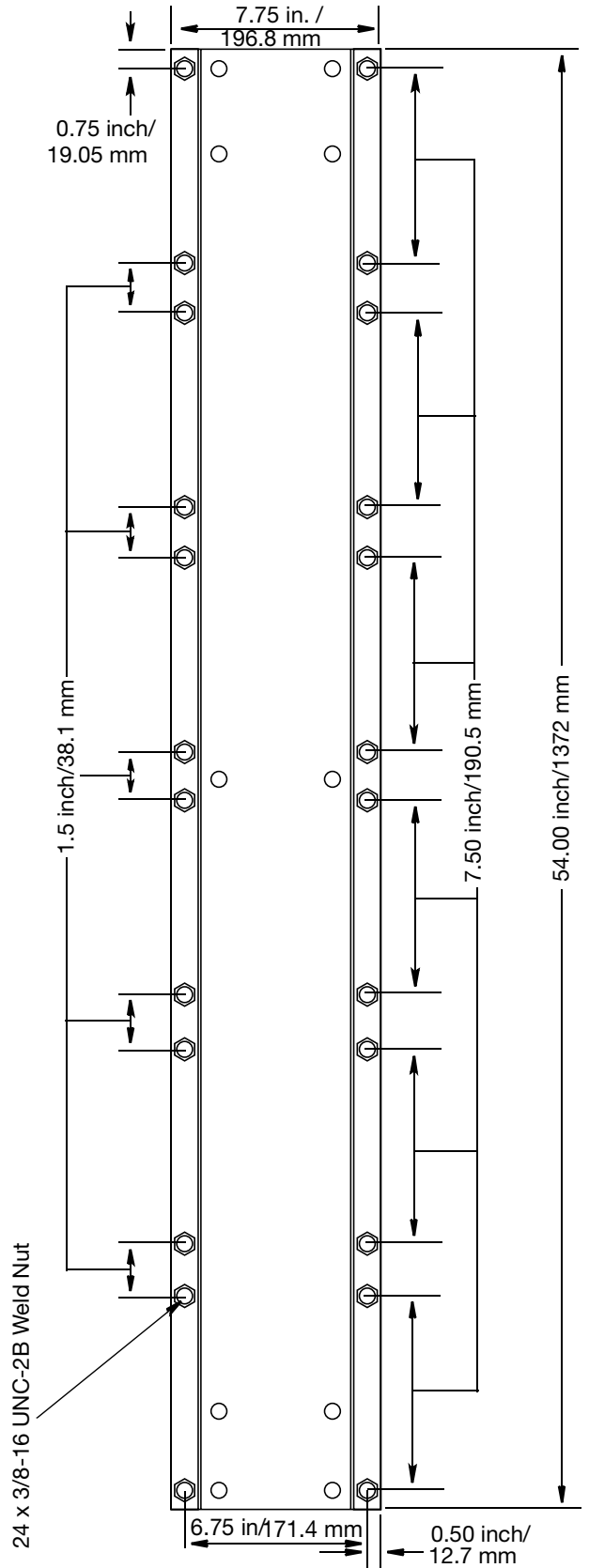
5 Reel Base Weldment

Used with Kits 24A938, 203525

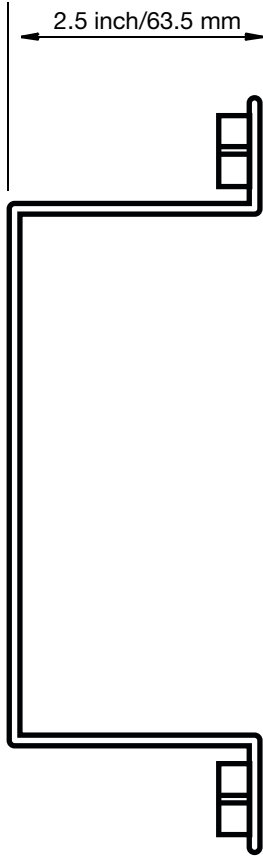


6-Reel Base Weldment

Used with Kits 24A939, 203526



Side Dimension (All Models)



Troubleshooting



Repair instructions for some of the Solutions in this Troubleshooting Table are included in a separate repair instruction manual for this product.

Problem	Cause	Solution
Cord will not retract fully	Outlet attachment is too heavy	Increase spring tension. See Increasing Spring Tension, page 13.
	Spring lost tension	
	Spring is broken	See the Repair Manual
Cord will not retract at all	Spring is broken	See the Repair Manual.
	Spring has lost tension	Increase spring tension. See Increasing Spring Tension, page 13.
Reel will not latch	Broken pawl	Replace pawl. See instruction manual included with Latch Kit 15Y503.
	Broken pawl spring	Replace pawl spring. See instruction manual included with Latch Kit 15Y503.
	Pawl not lined up with ratchet plate.	See FIG. 4, page 9 for correct operating position. Realign pawl with ratchet plate if not correctly positioned. See the repair manual.
No electrical power at the output end of accessory cord	Accessory disconnected from cord end	Reconnect accessory to output end of accessory cord.
	Accessory is broken	Replace accessory.
	Wires are not connected	Check all connections. Reconnect any loose wires connections.
	Worn slip-ring /brushes	Replace worn slip-ring/brushes. See the repair manual.
Cord reel is not providing adequate ground	Cord is damaged	Replace cord.
	Cord or reel was installed incorrectly	Review installation procedures to identify problem. See SD Cord Reel Installation manual.
	Worn slip-ring /brushes	Replace worn slip-ring/brushes. See the repair manual.
Cord locked when accessory cord was fully extended	Slip-ring cover is assembled in the incorrect position	Relocate slip-ring cover in correct location. See the repair manual.

Problem	Cause	Solution
Breaker or fuse trip out (GFCI accessory or European models only)	Application does not conform to the electrical rating of the reel	Check electrical rating on reel label. Do not attempt to use a reel that is not rated for the application.
	Wires are broken or shorted	Replace all damaged wires.
	GFCI models only: power was removed from unit	Reset GFCI.
Cord could not extend fully	Spring has too much tension applied	Release some of the spring tension. See Decreasing Spring Tension, page 13.

SD Series™ Cord and Light Reel Kits

Kit No. Description

Mounting Kits

Wall/Ceiling Mounting

24N686 Size 5 Easy Mount Plate Kit
24H193 Size 10 Easy Mount Plate Kit

Open Channel Mount

24N674 KIT, Size 5, 1 reel
24N675 KIT, Size 5, 2 reels
24A934 KIT, Size 10, 1 reel
24A935 KIT, Size 10, 2 reels
24A936 KIT, Size 10, 3 reels
24A937 KIT, Size 10, 4 reels
24A938 KIT, Size 10, 5 reels
24A939 KIT, Size 10, 6 reels

*If you want to mount a Size 5 in the Size 10 options order 16N883 holding plate for each Size 5 reel.

I Beam Ceiling Mounting

204741 Size 5 and 10 I Beam Mounting Kit
* Mounting 1-3 reels requires quantity of 2 204741
** Mounting 4-6 reels requires quantity of 3 204741.

Swivel Bracket Mounting Kit

24N444 SWIVEL, assembly, Size 10, cord reel mount
24N814 SWIVEL, assembly, Size 5, cord reel mount

Enclosure Mounting Kits

24N682 Size 5 Enclosure Mounting Kit, Metallic Blue
24N683 Size 5 Enclosure Mounting Kit, Red
24N684 Size 5 Enclosure Mounting Kit, Black
24N685 Size 5 Enclosure Mounting Kit, Yellow
24N690 Size 5 Enclosure Mounting Kit, White
24N691 Size 5 Enclosure Mounting Kit, Dark Blue
24A940 Size 10 Enclosure Mounting Kit, Metallic Blue
24A941 Size 10 Enclosure Mounting Kit, Red
24A942 Size 10 Enclosure Mounting Kit, Black
24A944 Size 10 Enclosure Mounting Kit, Yellow
24A217 Size 10 Enclosure Mounting Kit, White
24A943 Size 10 Enclosure Mounting Kit, Dark Blue

* Size 5 Enclosure Mounting kits are similar to Size 10, but the kits contain an extra spacer bracket.

Size 5 Enclosure Conversion Kit

24P164 KIT, Size 5 enclosed reel mounting bracket
* Order this kit if you have existing Size 10 SD Series™ Enclosure and you want to mount a Size 5.

Open Channel Mounting Kits for Enclosures

203521 SD Series™ Open Channel Enclosure Kit, 1 Reel

Kit No. Description

203522 SD Series™ Open Channel Enclosure Kit, 2 Reel
203523 SD Series™ Open Channel Enclosure Kit, 3 Reel
203524 SD Series™ Open Channel Enclosure Kit, 4 Reel
203525 SD Series™ Open Channel Enclosure Kit, 5 Reel
203526 SD Series™ Open Channel Enclosure Kit, 6 Reel

Accessory Kits

16P999 Magnetic Clip Accessory for lights

Repair Kits

Slip Ring Kit

24N687 Slip Ring repair kit
*Used for all models

Latch Kit

15Y503 Latch Replacement Kit
* Used for all models

Roller Guide Kit

24N897 Roller Guide Replacement Kit
* Used for all models
** Different from hose reel roller guides

Seal Repair Kits

24N540 Size 5 Seal Repair Kit
24N541 Size 10 Seal Repair Kit

Repair kits for 12 AWG models: 24Y859, 24Y880, 24Y862, 24Y863, 24Y882, 24Y864, 24Y883

Spring Cassette Kits

24M452 35 ft. 12 AWG models
24M454 50 ft. 12 AWG models
24M462 95 ft. 12 AWG models

Power Cord Kit

24N868 NEMA 5-20P, 12 AWG 3 conductor SJOOW power cord replacement kit

Accessory Cord Kits

24N894 35 ft, 12 AWG 3 conductor, SJOOW accessory cord replacement kit
24N887 50 ft, 12 AWG 3 conductor, SJOOW accessory cord replacement kit
24N888 95 ft, 12 AWG 3 conductor, SJOOW accessory cord replacement kit

Kit No. Description

20A Single Industrial Receptacle

24N871 NEMA 5-20R replacement kit

Ball Stop Kit

222225 Ball Stop 12 AWG

GFCI Kits

24N880 GFCI 5-15R Replacement Kit

Repair Kits for 16 AWG models: 24Y858, 24Y860, 24Y861, 24Y865-24Y872, 24Y879, 24Y884 - 24Y887

Spring Cassette Kits

24M453 35 ft. 16 AWG 3 conductor, SJTOW accessory cord replacement kit

24M455 50 ft. 16 AWG 3 conductor, SJTOW accessory cord replacement kit

24M463 95 ft. 16 AWG 3 conductor, SJTOW accessory cord replacement kit

Power Cord Kit

24N866 NEMA 5-15P 16 AWG 3 conductor SJTOW power cord replacement kit

Accessory Cord Kits for use with single industrial receptacle models

24N892 35 ft, 16 AWG 3 conductor SJTOW accessory cord replacement kit with NEMA 5-15R

24N893 50 ft, 16 AWG 3 conductor SJTOW accessory cord replacement kit with NEMA 5-15R

Accessory Cord Kits for use with light and flying lead models

24N896 35 ft, 16 AWG 3 conductor, SJTOW accessory cord replacement kit

24N885 50 ft, 16 AWG 3 conductor, SJTOW accessory cord replacement kit

24N886 95 ft, 16 AWG 3 conductor, SJTOW accessory cord replacement kit

Ball Stop Kit

24N539 Ball Stop 16 AWG

Fluorescent Lights

16N223 Fluorescent Light replacement kit

16N224 Fluorescent Light with tool tap replacement kit

16P697 Fluorescent Replacement Bulb

LED Lights

127088 LED Light replacement kit, Stubby II

16N225 LED Light replacement kit, The Edge

16P696 LED Light Bulb Replacement kit

Kit No. Description

Tool Tap for LED light models

16N226 Power Pod tool tap

Repair kits 2.5mm² models: 24Y888, 24Y889

Spring Cassette Kits

24M462 25M, 2.5mm² models

Power Cord Kit

24N869 CEE 7/7, 2.5mm² H07RN-F power cord replacement kit

Accessory Cord Kits

24N891 25M, 2.5mm² 3 conductor

16A CEE 7/7 Single Industrial Receptacle Kit

24N872

Ball Stop Kit

222225 Ball Stop 2.5mm²

Repair kits for 1.5mm² models: 24Y873-24Y878, 24Y890

Spring Cassette Kits

24M453 10M, 1.5mm²

24M455 15M, 1.5mm²

24M463 25M, 1.5mm²

Power Cord Kit

24N867 CEE 7/7, 1.5mm² H05RR-F power cord replacement kit

24N870 Flying Lead, 1.5mm² H05RR-F power cord replacement kit

Accessory Cord Kits for use with light and flying lead models

24N889 10M, 1.5mm² 3 conductor, H05RR-F accessory cord replacement kit

24N890 15M, 1.5mm² 3 conductor, H05RR-F accessory cord replacement kit

24N882 25M, 1.5mm² 3 conductor, H05RR-F accessory cord replacement kit

Ball Stop Kit

24N539 Ball Stop 16 AWG

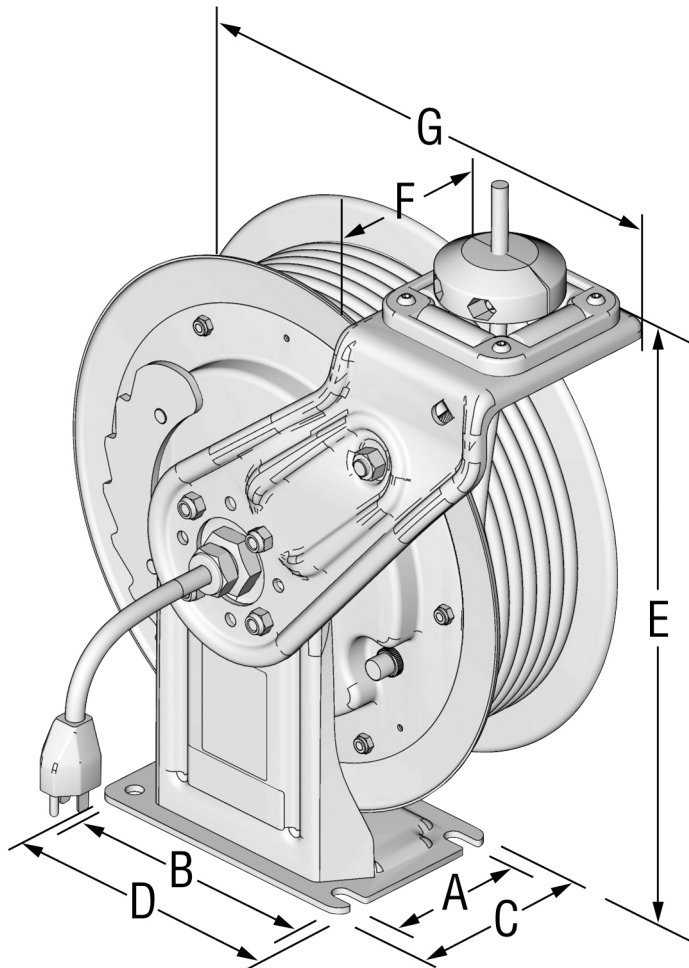
Technical Data

Size 5 and Size 10 SD Series™ Cord and Light Reel		
	120V Models	230V Models
Voltage	120VAC	230VAC
Maximum Current	See Models, page 3	See Models, page 4
Wire Gauge	See Models, page 3	See Models, page 4
Cord Length		
Size 5	See Models, page 3 and 4	
Size 10	See Models, page 3 and 4	
Operating Temperature		
24Y858-24Y864, 24Y873-24Y876	-22°F to 122°F (-30°C to 50°C)	
24Y879-24Y883, 24Y888, 24Y889		
24Y865-24Y872, 24Y877, 24Y878, 24Y884-24Y887, 24Y890	-4°F to 104°F (-20°C to 40°C)	
GFCI Models		
24Y864	Complies with UL943 Section 6.7.2.1c requirements for open neutral protection for a portable GFCI.	
24Y883		
Weight - without accessories		
120V Models		
Size 5: 16AWG, Cord Length - 35 Feet	25.4 lbs (11.5 kg)	
Size 5: 16AWG, Cord Length - 50 Feet	27.6 lbs (12.5 kg)	
Size 10: 16 AWG, Cord Length - 95 Feet	46.3 lbs (21.0 kg)	
Size 5: 12AWG, Cord Length - 35 Feet	28.2 lbs (12.8 kg)	
Size 5: 12AWG, Cord Length - 50 Feet	32.0 lbs (14.5 kg)	
Size 5: 12AWG, Cord Length - 75 Feet	51.1 lbs (23.2 kg)	
Size 10: 12 AWG, Cord Length - 95 Feet	51.8 lbs (23.5 kg)	
230V Models		
Size 5: 1,5 mm ² , Cord Length 10 m	25.6 lbs (11.6 kg)	
Size 5: 1,5 mm ² , Cord Length 15 m	30.6 lbs (13.9 kg)	
Size 10: 1,5 mm ² , Cord Length 25 m	49.4 lbs (22.4 kg)	
Size 10: 2,5 mm ² , Cord Length 25 m	54.1 lbs (24.5 kg)	
Dimensions		
Size 5 and Size 10	See page 26	
Sound Pressure*	80 dB(A)	
Sound Power**	87 dB(A)	

*All readings taken at assumed retraction rate, from assumed operator position.

**Sound Power tester per ISO 9614-2.

Dimensions - Size 5 and Size 10 Models



Size	A	B	C	D	E†	F	G
Size 5	3.5 inches (89 mm)	6.38 inches (162 mm)	4.7 inches (120 mm)	7.48 inches (190 mm)	14.8 inches (376 mm)	6.6 inches (168 mm)	13.84 inches (352mm)
Size 10	3.5 inches (89 mm)	7.5 inches (191 mm)	4.7 inches (120 mm)	9 inches (229 mm)	19.5 inches (498 mm)	7 inches (177 mm)	17.5 inches (445 mm)

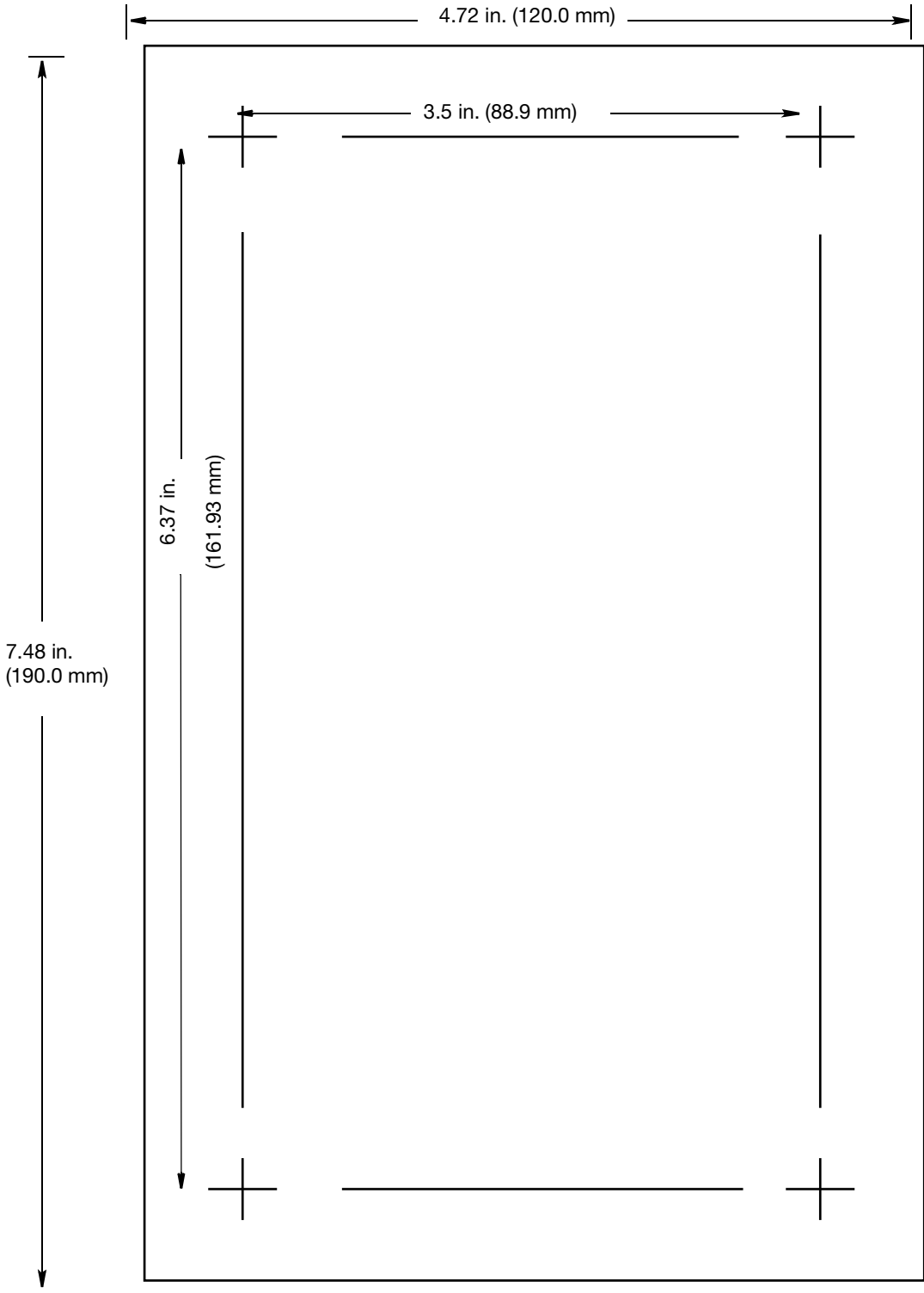
† Measurement taken from base to top of bolts.

Measurement taken from end of the power cord strain relief to the spring cassette cover cap.

Measurement taken from edge of spool to front of the arm.

Mounting Templates

NOTE: True-to-size Size 5 and Size 10 Mounting Templates are provided as the last two pages of this manual. Before using these templates read NOTE regarding verification of template size.

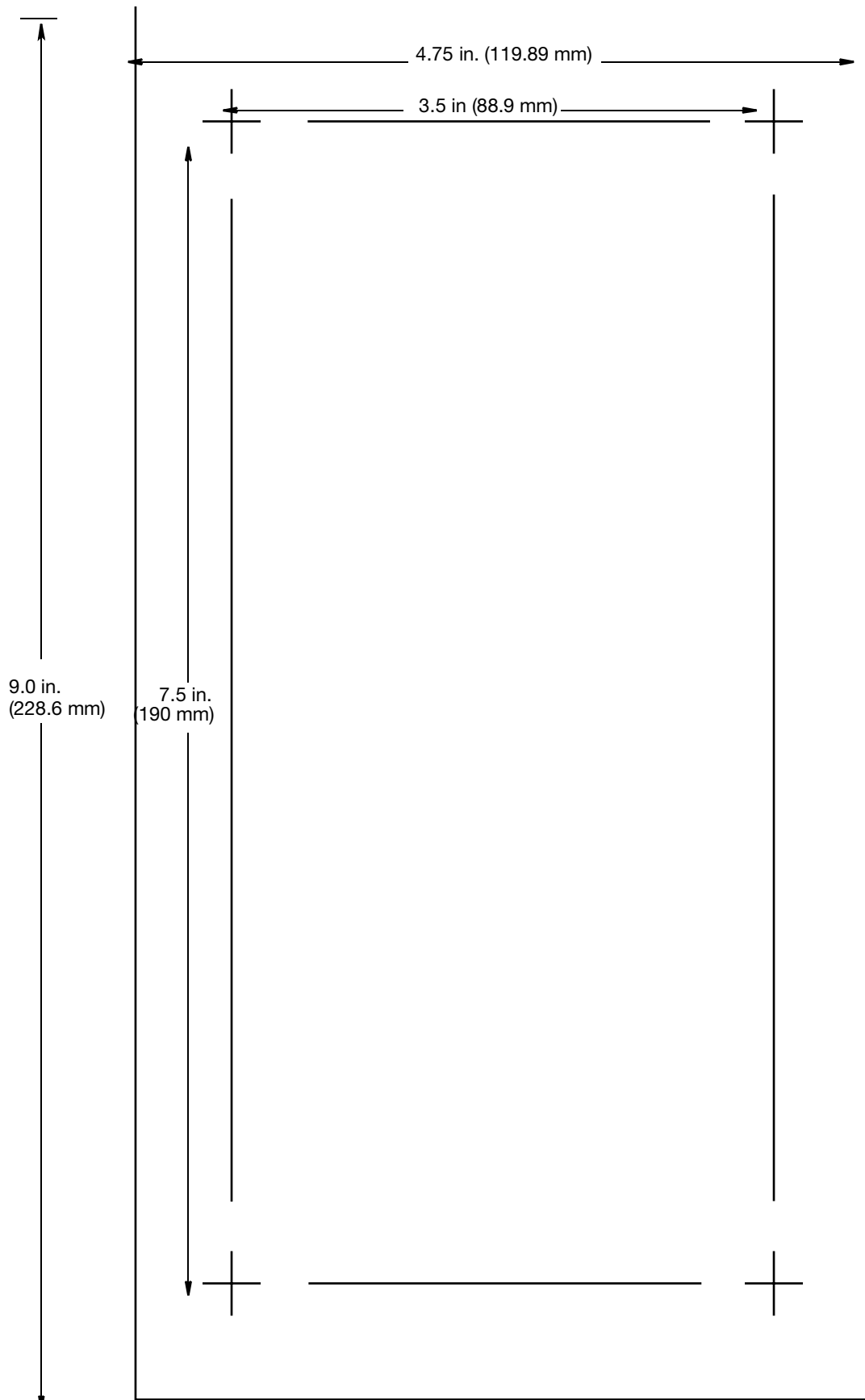


*****NOTE*****

Due to printer variations the size of the template MUST be verified for accuracy prior to using. To verify the template is the correct size, using the true to size template provided on the last pages of this manual, measure the length of the two intersecting lines located in the center of the diagram.

- If each line measures 3.5" (88.9 mm), the template printed true to size and is safe to use.
- If these lines do not measure 3.5" (88.9mm) use the Mounting Dimension provided on this page instead.

Prior to using this template to drill holes, you MUST verify the template has printed true size.



*****NOTE*****

Due to printer variations the size of the template MUST be verified for accuracy prior to using.

To verify the template is the correct size, using the true to size template provided on the last pages of this manual, measure the length of the two intersecting lines located in the center of the diagram.

- If each line measures 3.5" (88.9 mm), the template printed true to size and is safe to use.
- If these lines do not measure 3.5" (88.9mm) use the Mounting Dimension provided on this page instead.

Prior to using this template to drill holes, you MUST verify the template has printed true

California Proposition 65

CALIFORNIA RESIDENTS

 **WARNING:** Cancer and reproductive harm – www.P65warnings.ca.gov.

Graco 2-Year Extended Warranty

Graco warrants all equipment referenced in this document which is manufactured by Graco and bearing its name to be free from defects in material and workmanship on the date of sale to the original purchaser for use. With the exception of any special, extended, or limited warranty published by Graco, Graco will, for a period from the date of sale as defined in the table below, repair or replace equipment covered by this warranty and determined by Graco to be defective. This warranty applies only when the equipment is installed, operated and maintained in accordance with Graco's written recommendations.

Graco 2-Year Extended Warranty	
Components	Warranty Period
Non-electrical Components	2 years
Electrical Components	1 year

This warranty does not cover, and Graco shall not be liable for general wear and tear, or any malfunction, damage or wear caused by faulty installation, misapplication, abrasion, corrosion, inadequate or improper maintenance, negligence, accident, tampering, or substitution of non-Graco component parts. Nor shall Graco be liable for malfunction, damage or wear caused by the incompatibility of Graco equipment with structures, accessories, equipment or materials not supplied by Graco, or the improper design, manufacture, installation, operation or maintenance of structures, accessories, equipment or materials not supplied by Graco.

This warranty is conditioned upon the prepaid return of the equipment claimed to be defective to an authorized Graco distributor for verification of the claimed defect. If the claimed defect is verified, Graco will repair or replace free of charge any defective parts. The equipment will be returned to the original purchaser transportation prepaid. If inspection of the equipment does not disclose any defect in material or workmanship, repairs will be made at a reasonable charge, which charges may include the costs of parts, labor, and transportation.

THIS WARRANTY IS EXCLUSIVE, AND IS IN LIEU OF ANY OTHER WARRANTIES, EXPRESS OR IMPLIED, INCLUDING BUT NOT LIMITED TO WARRANTY OF MERCHANTABILITY OR WARRANTY OF FITNESS FOR A PARTICULAR PURPOSE.

Graco's sole obligation and buyer's sole remedy for any breach of warranty shall be as set forth above. The buyer agrees that no other remedy (including, but not limited to, incidental or consequential damages for lost profits, lost sales, injury to person or property, or any other incidental or consequential loss) shall be available. Any action for breach of warranty must be brought within one (1) year past the warranty period, or two (2) years for all other parts.

GRACO MAKES NO WARRANTY, AND DISCLAIMS ALL IMPLIED WARRANTIES OF MERCHANTABILITY AND FITNESS FOR A PARTICULAR PURPOSE, IN CONNECTION WITH ACCESSORIES, EQUIPMENT, MATERIALS OR COMPONENTS SOLD BUT NOT MANUFACTURED BY GRACO. These items sold, but not manufactured by Graco (such as electric motors, switches, hose, etc.), are subject to the warranty, if any, of their manufacturer. Graco will provide purchaser with reasonable assistance in making any claim for breach of these warranties.

In no event will Graco be liable for indirect, incidental, special or consequential damages resulting from Graco supplying equipment hereunder, or the furnishing, performance, or use of any products or other goods sold hereto, whether due to a breach of contract, breach of warranty, the negligence of Graco, or otherwise.

FOR GRACO CANADA CUSTOMERS

The Parties acknowledge that they have required that the present document, as well as all documents, notices and legal proceedings entered into, given or instituted pursuant hereto or relating directly or indirectly hereto, be drawn up in English. Les parties reconnaissent avoir convenu que la rédaction du présente document sera en Anglais, ainsi que tous documents, avis et procédures judiciaires exécutés, donnés ou intentés, à la suite de ou en rapport, directement ou indirectement, avec les procédures concernées.

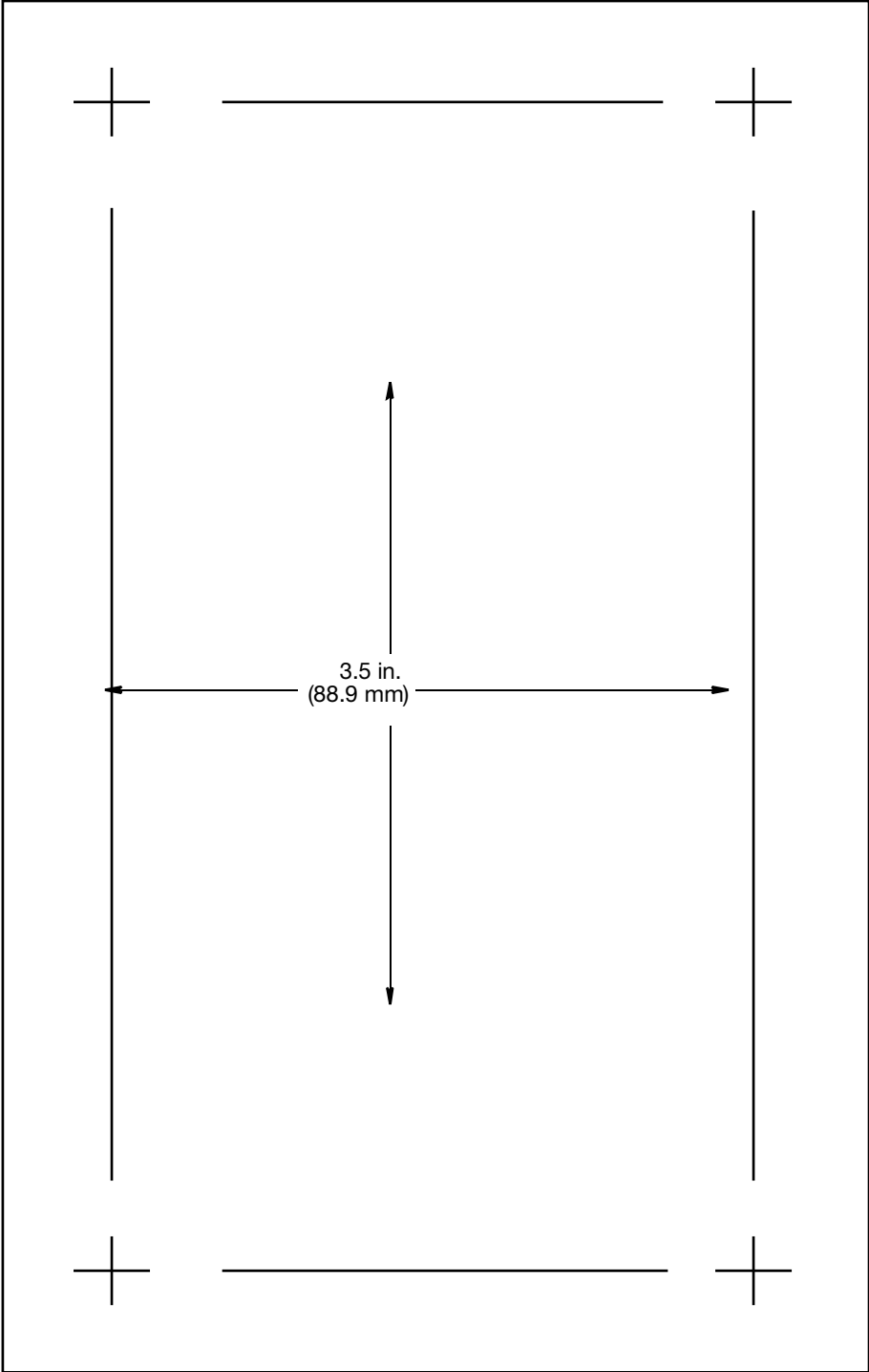
Graco Information

For the latest information about Graco products, visit www.graco.com.

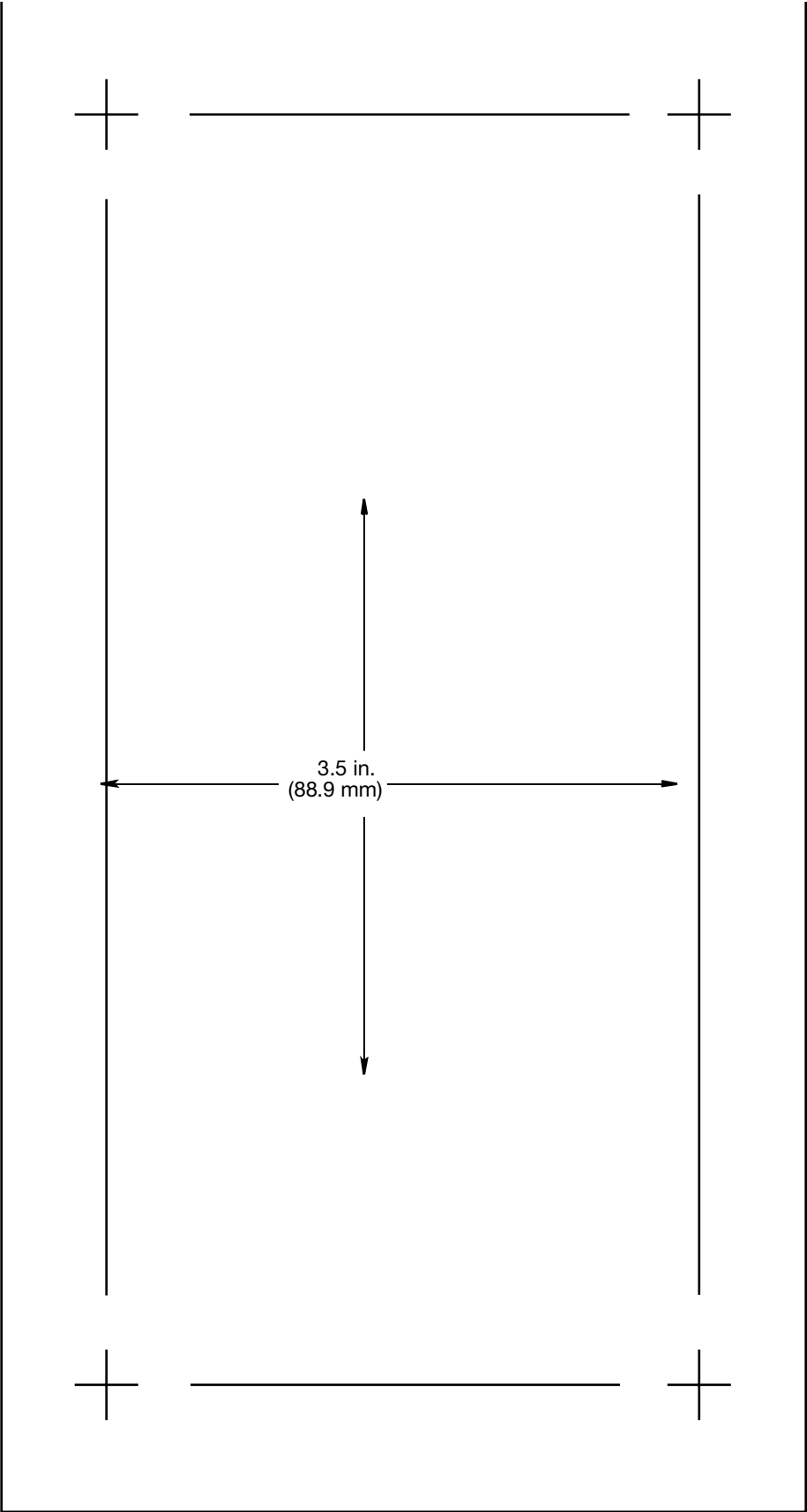
For patent information, see www.graco.com/patents.

TO PLACE AN ORDER, contact your Graco distributor or call to identify the nearest distributor.

Phone: 612-623-6928 **or Toll Free:** 1-800-533-9655, **Fax:** 612-378-359



THIS PAGE IS INTENTIONALLY LEFT BLANK



THIS PAGE IS INTENTIONALLY LEFT BLANK

*All written and visual data contained in this document reflects the latest product information available at the time of publication.
Graco reserves the right to make changes at any time without notice.*

For patent information, see www.graco.com/patents.

Original instructions. This manual contains English. MM 3A2592

Graco Headquarters: Minneapolis
International Offices: Belgium, China, Japan, Korea

GRACO INC. AND SUBSIDIARIES • P.O. BOX 1441 • MINNEAPOLIS MN 55440-1441 • USA

Copyright 2012, Graco Inc. All Graco manufacturing locations are registered to ISO 9001.

www.graco.com

Revision N, October, 2021