

55 GALLON STANDARD DRUM

Hot Melt Wiper Kits

309196R

EN

Designed to fit straight sided drums with a 22.5" (571 mm) ID

Model 2000188 (built prior to May 2006)

Model 2000189 (built May 2006 and after)

Silicone Hose / Silicone Hose
Maximum Temperature 400°F (204°C)

Model 2000187 (built prior to May 2006)

Model 2000190 (built May 2006 and after)

Silicone Hose / Steam Hose
Maximum Temperature 400°F (204°C)

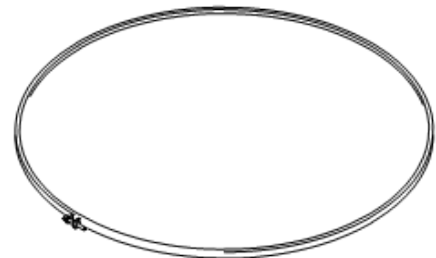
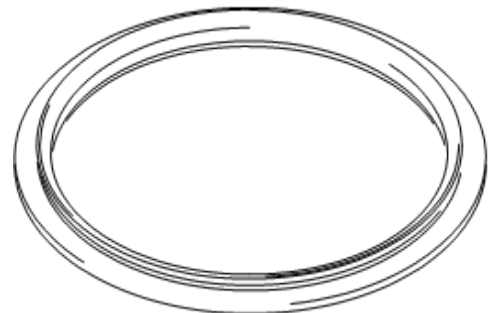
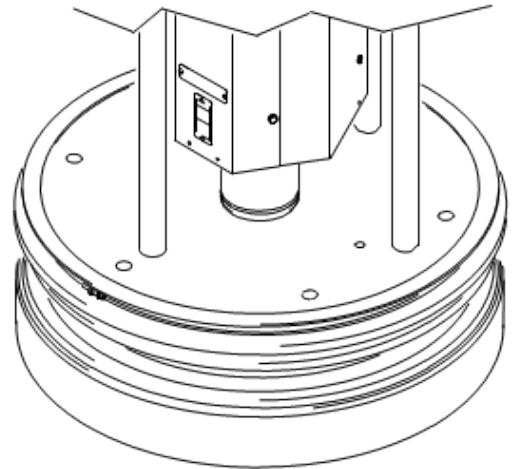
Model 234995 (built prior to May 2006)

Model 253289 (built May 2006 and after)

Dual Steam Hoses
Maximum Temperature 400°F (204°C)

Model 17J585 (built May 2006 and after)

Dual orange 1 piece wiper
Maximum Temperature 400°F (204°C)



Important Safety Instructions

Read all warnings and instructions in this manual.
Save these instructions.

T10410

Table of Contents

Table of Contents	2	Parts	7
Symbols	3	Model 2000188	7
Warning Symbol	3	Model 2000187	7
Caution Symbol	3	Model 234995	8
Installation	4	Model 253289, Tire Plate Seal	9
		Model 253291	10
		Model 2000189	11
		Model 17J585	12
		Technical Data	13
		Graco Standard Warranty	14
		Graco Information	14



Symbols

Warning Symbol

WARNING
This symbol alerts you to the possibility of serious injury or death if you do not follow the instructions.

Caution Symbol

⚠ CAUTION
This symbol alerts you to the possibility of damage to or destruction of equipment if you do not follow the instructions

⚠ WARNING	
	<p>HOT SURFACE AND FLUID HAZARD</p> <p>Heated fluid can cause severe burns and can cause equipment surfaces to become very hot.</p> <ul style="list-style-type: none"> • Wear protective gloves and clothing when operating this equipment in a heated system. • Do not touch the metal heat sink when the surface is hot. • Allow the equipment to cool thoroughly before servicing. <p>Some heated systems are designed to dispense Polyurethane (PUR) heated materials. PUR systems are supplied with ventilation hoods, and require proper ventilation and specially designed system components.</p>
	<p>MOVING PARTS HAZARD</p> <p>Moving parts, such as the ram plate and pump inlet, can pinch or amputate your fingers.</p> <ul style="list-style-type: none"> • Keep clear of all moving parts when starting or operating th equipment. • Keep hands and fingers away from the priming piston during operation and whenever the pump is charged with air. • Keep clear of the ram plate, pump fluid inlet, and lip of the fluid container when raising or lowering the ram.

Related Publications

Form Name	Form#
Therm-O-Flow Plus Installation and Operation	309180
Therm-O-Flow 200 Installation and Operation	311208
Therm-O-Flow 200 Parts	334130

Installation

Dual Silicone Hose Kit 2000188 / 2000189

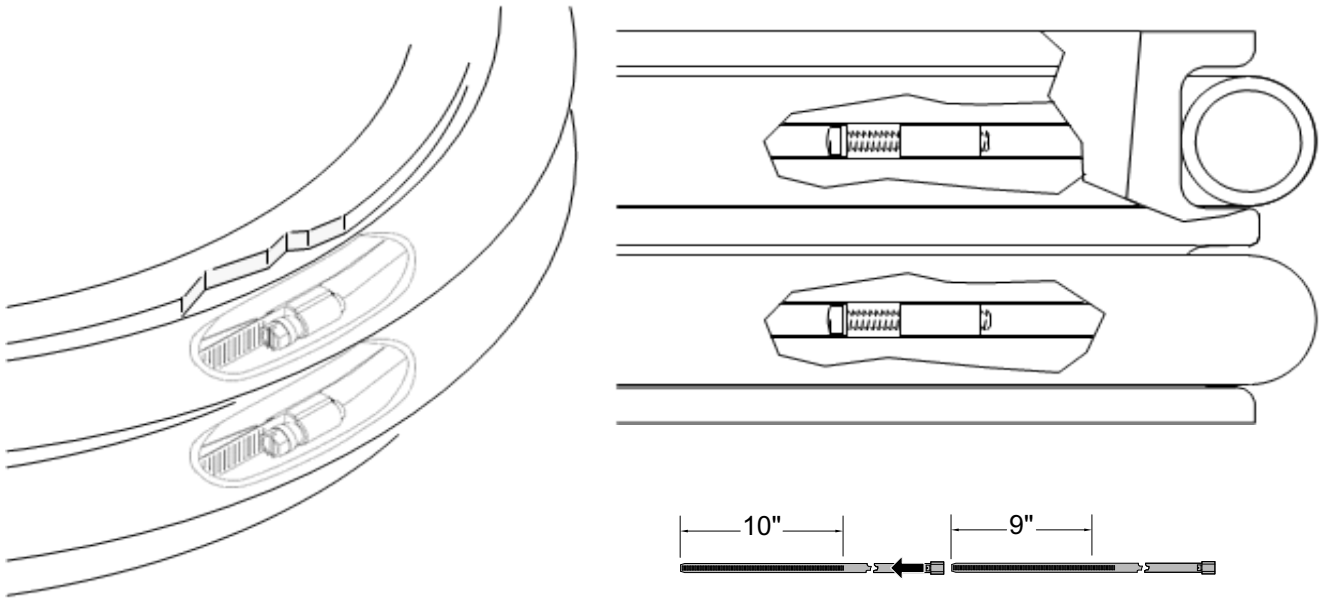
Clean the seal grooves as follows:

1. Using a wooden or plastic tool to prevent damage to the wiper, clean all material from the seal grooves.
2. Lubricate ram plate grooves, bands, and wipers before assembly.

Install the wiper ring seals as follows:

NOTE: Upper and lower hoses are green.

1. Assemble two bands together as shown in FIG. 3. Align one end of band about 9 in. from jack screw and tape attached band. Install screw jack in slot.
2. Install hose and band so that angled ends of hose press against each other.
3. After installing clamp, work hose with mallet to completely close gap at the ends.
4. Hose seam must be 180° apart, and in line with tie rod holes [+ or - 1" (25.4 mm)].



ti23894a

T12345

FIG. 1

Silicone Hose / Steam Hose Kit 2000187 / 2000190

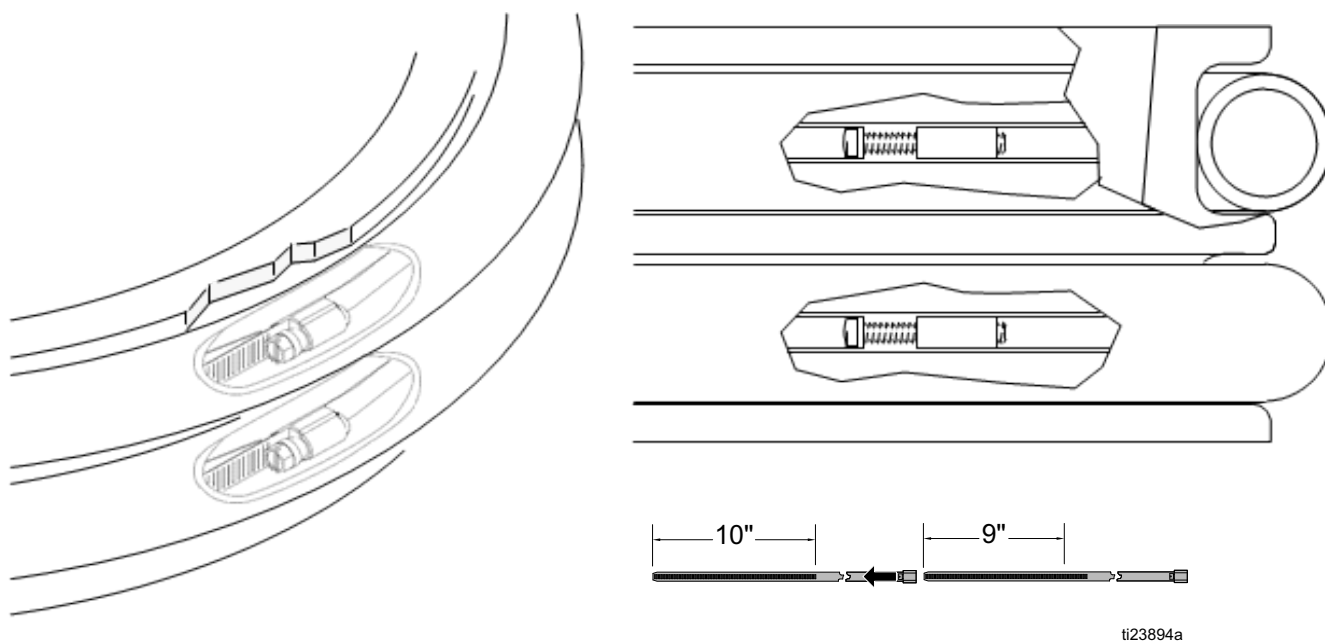
Clean the seal grooves as follows:

1. Using a wooden or plastic tool to prevent damage to the wiper, clean all material from the seal grooves.
2. Lubricate ram plate grooves, bands, and wipers before assembly.

Install the wiper ring seals as follows:

NOTE: Upper wiper is green hose, lower is black hose.

1. Assemble two bands together as shown in FIG. 2. Align one end of band about 9 in. from jack screw and tape attached band. Install screw jack in slot
2. Install hose and band so that angled ends of hose press against each other.
3. After installing clamp, work hose with mallet to completely close gap at the ends.
4. Hose seam must be 180° apart, and in line with tie rod holes [+ or - 1" (25.4 mm)].



T12345

FIG. 2

Silicone Hose Kit 17J585

Clean the seal grooves as follows:

1. Using a wooden or plastic tool to prevent damage to the wiper, clean all material from the seal grooves.
2. Lubricate ram plate grooves, bands, and wipers before assembly.

Install the wiper ring seals as follows:

1. Roll o-ring wiper to top ring groove.
2. Roll o-ring wiper to bottom ring groove.

Dual Steam Hose Kit 234995 / 253289

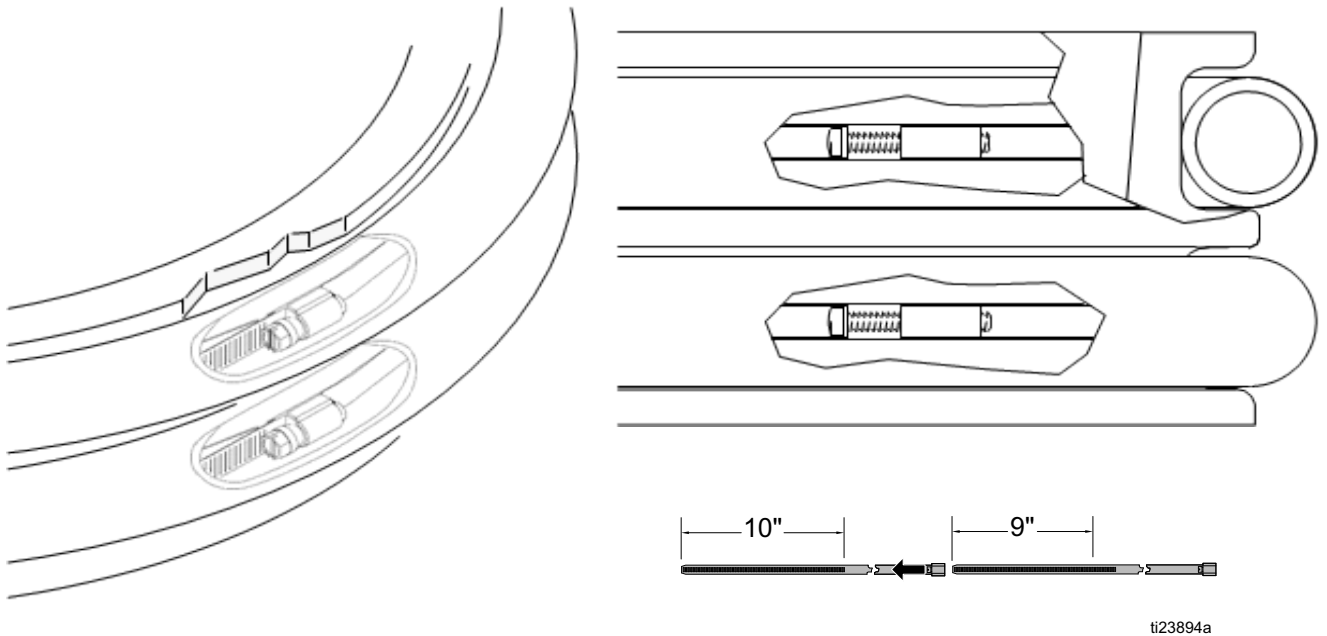
Clean the seal grooves as follows:

1. Using a wooden or plastic tool to prevent damage to the wiper, clean all material from the seal grooves.
2. Lubricate ram plate grooves, bands, and wipers before assembly.

Install the wiper ring seals as follows:

NOTE: Upper and lower hoses are black.

1. Assemble two bands together as shown in FIG. 3. Align one end of band about 9 in. from jack screw and tape attached band. Install screw jack in slot.
2. Install hose and band so that angled ends of hose press against each other.
3. After installing clamp, work hose with mallet to completely close gap at the ends.
4. Hose seam must be 180° apart, and in line with tie rod holes [+ or - 1" (25.4 mm)].



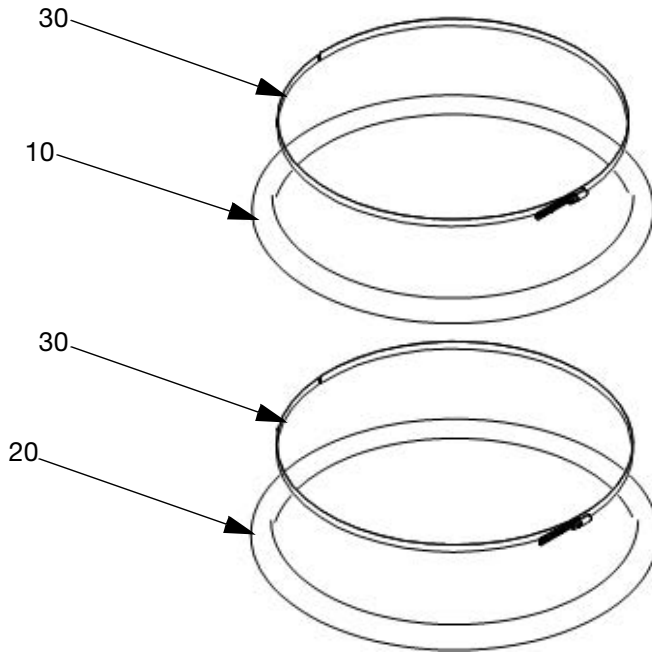
T12345

FIG. 3

Parts

Model 2000188

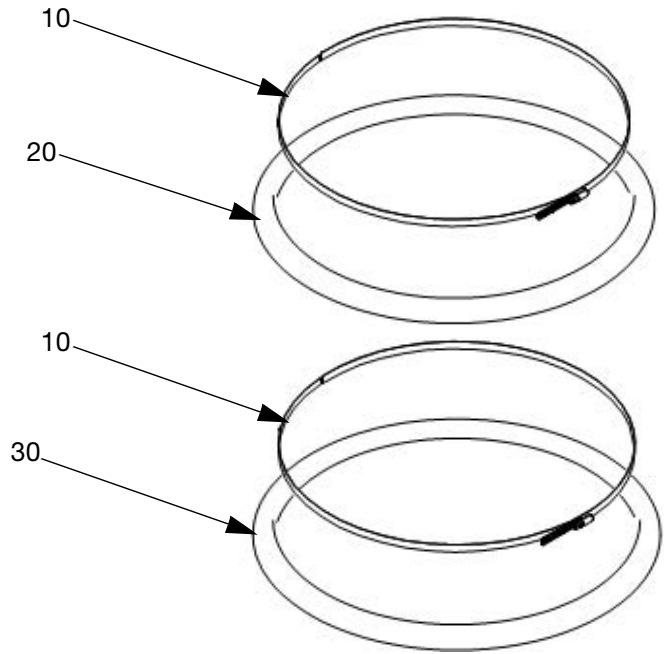
Dual Silicone Hose (Green)e



Ref No.	Part No.	Description	Qty
10	---	HOSE, follower, upper	1
20	---	HOSE, follower, lower	1
30	C31002	CLAMP, tire, kit	1

Model 2000187

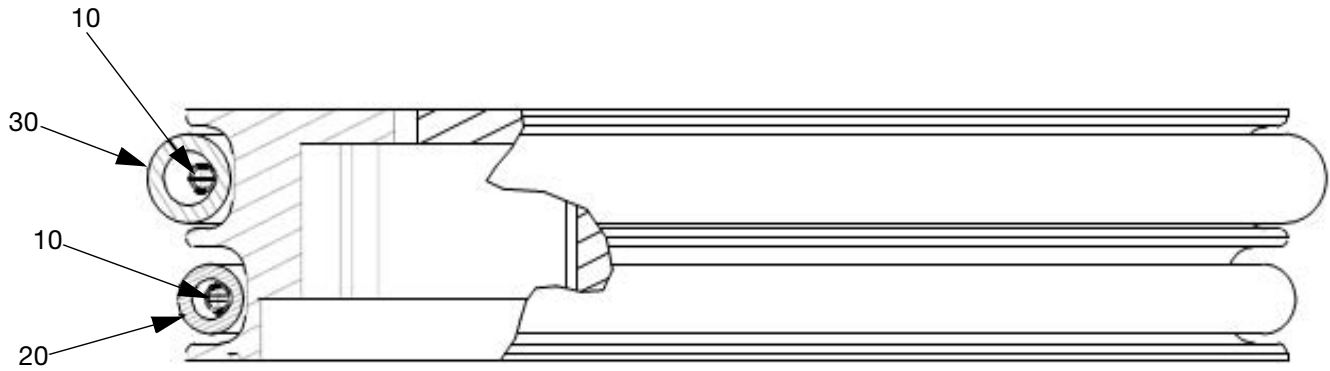
Silicone Hose / Steam Hose



Ref No.	Part No.	Description	Qty
10	C31002	CLAMP, tire, kit	1
20	---	HOSE, follower, upper	1
30	---	HOSE, follower, lower	1

Model 234995

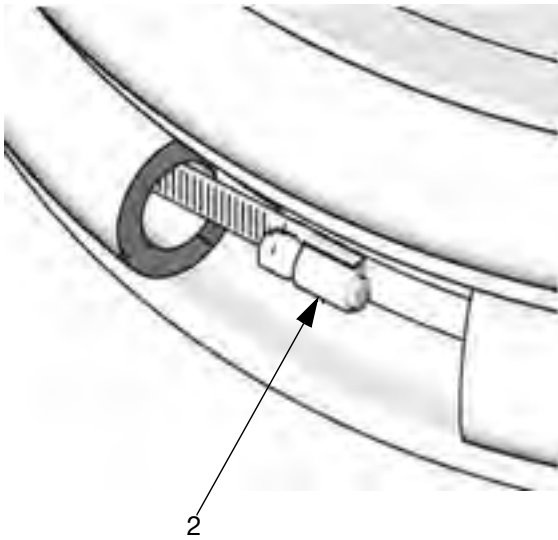
Dual Steam Hoses



Ref	Part		
No.	No.	Description	Qty
10	C31002	CLAMP, tire. kit	1
20	119414	HOSE, follower, lower; 1"	1
30	119413	HOSE, follower, upper; 1"	1

Model 253289, Tire Plate Seal

2 Black EPDM/EPDM, SS Wire Braid Hose Wipers
w/band clamp retention,



Ref No.	Part No.	Description	Qty
1	---	HOSE, follower upper	2
2	C31002	CLAMP, tire, kit	1

Model 253291

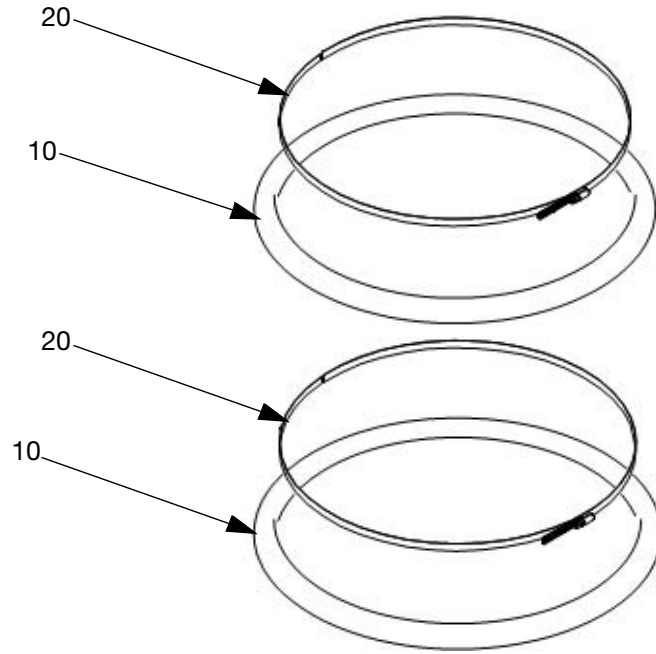
1 Lower Black EPDM/EPDM, SS Wire Braid Hose Wiper and 1 Upper Green Silicone, Fiberglass Braid Hose Wiper



Ref No.	Part No.	Description	Qty
1	C31003	HOSE, follower upper	1
2	119413	HOSE, follower lower	1
3	C31002	CLAMP, tire, kit	1

Model 2000189

Dual Silicone Hose (Green)



Ref No.	Part No.	Description	Qty
10	---	HOSE, follower, upper	2
20	---	CLAMP, tire	4

Model 17J585



Ref No.	Part No.	Description	Qty
1	128744	WIPER, silicone	2

Technical Data

Model	Upper Wiper	Lower Wiper	Maximum Temperature
2000188 / 2000189	green silicone hose	green silicone hose	400° F 204° C
2000187 / 2000190	green silicone hose	black EPDM steam hose	400° F 204° C
234995 / 253289	black EPDM steam hose	black EPDM steam hose	400° F 204° C
17J585	rust o-ring silicone	rust o-ring silicone	400° F 204° C

Graco Standard Warranty

Graco warrants all equipment referenced in this document which is manufactured by Graco and bearing its name to be free from defects in material and workmanship on the date of sale to the original purchaser for use. With the exception of any special, extended, or limited warranty published by Graco, Graco will, for a period of twelve months from the date of sale, repair or replace any part of the equipment determined by Graco to be defective. This warranty applies only when the equipment is installed, operated and maintained in accordance with Graco's written recommendations.

This warranty does not cover, and Graco shall not be liable for general wear and tear, or any malfunction, damage or wear caused by faulty installation, misapplication, abrasion, corrosion, inadequate or improper maintenance, negligence, accident, tampering, or substitution of non-Graco component parts. Nor shall Graco be liable for malfunction, damage or wear caused by the incompatibility of Graco equipment with structures, accessories, equipment or materials not supplied by Graco, or the improper design, manufacture, installation, operation or maintenance of structures, accessories, equipment or materials not supplied by Graco.

This warranty is conditioned upon the prepaid return of the equipment claimed to be defective to an authorized Graco distributor for verification of the claimed defect. If the claimed defect is verified, Graco will repair or replace free of charge any defective parts. The equipment will be returned to the original purchaser transportation prepaid. If inspection of the equipment does not disclose any defect in material or workmanship, repairs will be made at a reasonable charge, which charges may include the costs of parts, labor, and transportation.

THIS WARRANTY IS EXCLUSIVE, AND IS IN LIEU OF ANY OTHER WARRANTIES, EXPRESS OR IMPLIED, INCLUDING BUT NOT LIMITED TO WARRANTY OF MERCHANTABILITY OR WARRANTY OF FITNESS FOR A PARTICULAR PURPOSE.

Graco's sole obligation and buyer's sole remedy for any breach of warranty shall be as set forth above. The buyer agrees that no other remedy (including, but not limited to, incidental or consequential damages for lost profits, lost sales, injury to person or property, or any other incidental or consequential loss) shall be available. Any action for breach of warranty must be brought within two (2) years of the date of sale.

GRACO MAKES NO WARRANTY, AND DISCLAIMS ALL IMPLIED WARRANTIES OF MERCHANTABILITY AND FITNESS FOR A PARTICULAR PURPOSE, IN CONNECTION WITH ACCESSORIES, EQUIPMENT, MATERIALS OR COMPONENTS SOLD BUT NOT MANUFACTURED BY GRACO. These items sold, but not manufactured by Graco (such as electric motors, switches, hose, etc.), are subject to the warranty, if any, of their manufacturer. Graco will provide purchaser with reasonable assistance in making any claim for breach of these warranties.

In no event will Graco be liable for indirect, incidental, special or consequential damages resulting from Graco supplying equipment hereunder, or the furnishing, performance, or use of any products or other goods sold hereto, whether due to a breach of contract, breach of warranty, the negligence of Graco, or otherwise.

FOR GRACO CANADA CUSTOMERS

The Parties acknowledge that they have required that the present document, as well as all documents, notices and legal proceedings entered into, given or instituted pursuant hereto or relating directly or indirectly hereto, be drawn up in English. Les parties reconnaissent avoir convenu que la rédaction du présente document sera en Anglais, ainsi que tous documents, avis et procédures judiciaires exécutés, donnés ou intentés, à la suite de ou en rapport, directement ou indirectement, avec les procédures concernées.

Graco Information

For the latest information about Graco products, visit www.graco.com.

For patent information, see www.graco.com/patents.

TO PLACE AN ORDER, contact your Graco distributor or call to identify the nearest distributor.

Phone: 612-623-6921 or Toll Free: 1-800-328-0211, Fax: 612-378-3505

All written and visual data contained in this document reflects the latest product information available at the time of publication. Graco reserves the right to make changes at any time without notice.

Original instructions. This manual contains English. MM 309196

Graco Headquarters: Minneapolis

International Offices: Belgium, China, Japan, Korea

GRACO INC. AND SUBSIDIARIES • P.O. BOX 1441 • MINNEAPOLIS MN 55440-1441 • USA

Copyright 2013, Graco Inc. All Graco manufacturing locations are registered to ISO 9001.

www.graco.com

Revision R, October 2023